

SA's Leading Past Year

Exam Paper Portal

STUDY

You have Downloaded, yet Another Great Resource to assist you with your Studies 😊

Thank You for Supporting SA Exam Papers

Your Leading Past Year Exam Paper Resource Portal

Visit us @ www.saexampapers.co.za



SA EXAM
PAPERS



basic education

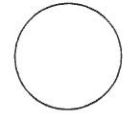
Department:
Basic Education
REPUBLIC OF SOUTH AFRICA

Candidate Barcode Sticker/*Kandidaat-stafiekodeplakker*

SENIOR CERTIFICATE EXAMINATIONS/ *SENIORSERTIFIKAAT-EKSAMEN*

MATHEMATICS P2/*WISKUNDE V2*

ANSWER BOOK/*ANTWOORDEBOEK*



Sequence No. on mark sheet
Volgnummer op puntestaat

CENTRE NUMBER <i>SENTRUMNUMMER</i>																				
---------------------------------------	--	--	--	--	--	--	--	--	--	--	--	--	--	--	--	--	--	--	--	--

EXAMINATION NUMBER <i>EKSAMENNUMMER</i>																				
--	--	--	--	--	--	--	--	--	--	--	--	--	--	--	--	--	--	--	--	--

DATE <i>DATUM</i>																				
----------------------	--	--	--	--	--	--	--	--	--	--	--	--	--	--	--	--	--	--	--	--

BOOK NUMBER <i>BOEKNOMMER</i>																				
----------------------------------	--	--	--	--	--	--	--	--	--	--	--	--	--	--	--	--	--	--	--	--

SUBJECT CODE <i>VAKKODE</i>																				
--------------------------------	--	--	--	--	--	--	--	--	--	--	--	--	--	--	--	--	--	--	--	--

MARKER/NASIENER			MODERATOR'S INITIALS IN RELEVANT BLOCK <i>MODERATORPARAAF IN BETROKKE BLOKKIE</i>					
Question <i>Vraag</i>	Marks <i>Punte</i>	Marker's Code and Initials <i>Nasienerkode en -paraaf</i>	Marks <i>Punte</i>	SM	DCM	CM	IM	EM
1								
2								
3								
4								
5								
6								
7								
8								
9								
10								
11								
12								
13								
14								
15								
16								

RE-MARK/RE-CHECK <i>HERNASIEN/HERKONTROLEER</i>		
Question <i>Vraag</i>	Marks <i>Punte</i>	Initials <i>Paraaf</i>
1		
2		
3		
4		
5		
6		
7		
8		
9		
10		
11		
12		
13		
14		
15		
16		

CONTROLLED AND CERTIFIED AS CORRECT (SURNAME AND INITIALS OF EA)
GEKONTROLEER EN AS KORREK GESERTIFISEER (VAN EN VOORLETTERS VAN EA)

This answer book consists of 27 pages./Hierdie antwoordeboek bestaan uit 27 bladsye.

PLEASE FOLLOW THESE INSTRUCTIONS CAREFULLY	VOLG ASSEBLIEF HIERDIE INSTRUKSIES NOUKEURIG
1. Your examination number and centre number must be clearly written in the space provided and attach your examination number sticker in the space provided.	1. Skryf jou eksamennommer en sentrumnommer duidelik in die ruimtes soos verskaf en plak jou eksamennommeretiket in die ruimte soos verskaf.
2. Remember that your own name (or the name of your school) may not appear anywhere on or in this answer book.	2. Onthou dat jou eie naam (of die naam van jou skool) nie op of in hierdie antwoordeboek mag voorkom nie.
3. Answer ALL questions in the spaces provided.	3. Beantwoord ALLE vrae in die ruimtes wat voorsien is.
4. No pages may be torn from this answer book.	4. Geen bladsye mag uit hierdie antwoordeboek geskeur word nie.
5. Read the instructions printed on your timetable carefully as well as any other instructions which may be given in each examination paper.	5. Lees die instruksies wat op jou eksamenrooster gedruk is sorgvuldig deur, asook enige ander instruksies wat in elke eksamenvraestel gegee word.
6. Candidates may not retain an answer book or remove it from the examination room. Answer books must be returned to the Invigilator at the end of the examination session.	6. Geen antwoordeboek mag deur die kandidaat behou of uit die eksamenlokaal verwyder word nie. Antwoordeboeke moet aan die Toesighouer terugbesorg word aan die einde van die eksamensessie.
7. Answers must be written in black/blue ink as distinctly as possible. Do not write in the margins.	7. Skryf die antwoorde so duidelik moontlik met swart/blou ink. Moenie in die kantlyn skryf nie.
8. Indicate the questions you have answered by drawing a circle around the relevant numbers on the front cover of the answer book where marks are to be recorded.	8. Dui die vrae wat jy beantwoord het aan op die voorblad van die antwoordeboek waar die punte aangebring word, deur 'n kringetjie te trek om die nommers van die vrae wat jy beantwoord het.
9. Rule off through any work/rough work that must not be marked.	9. Trek 'n netjiese lyn deur enige werk/rofwerk wat nie nagesien moet word nie.
10. In the event that you use the additional space provided: 10.1 Write down the number of the question 10.2 Leave a line and rule off after your answer.	10. In geval jy die addisionele ruimte wat voorsien word, gebruik: 10.1 Skryf die nommer van die vraag neer 10.2 Laat 'n lyn oop en trek 'n lyn na jou antwoord.

QUESTION/VRAAG 1

TIME TAKEN (IN HOURS) TYD GENEEM (IN UUR)	5	7	5	8	10	13	15	20	18	25	23
COST/KOSTE (IN THOUSANDS OF RANDS) (IN DUISENDE RAND)	10	10	15	12	20	25	28	32	28	40	30

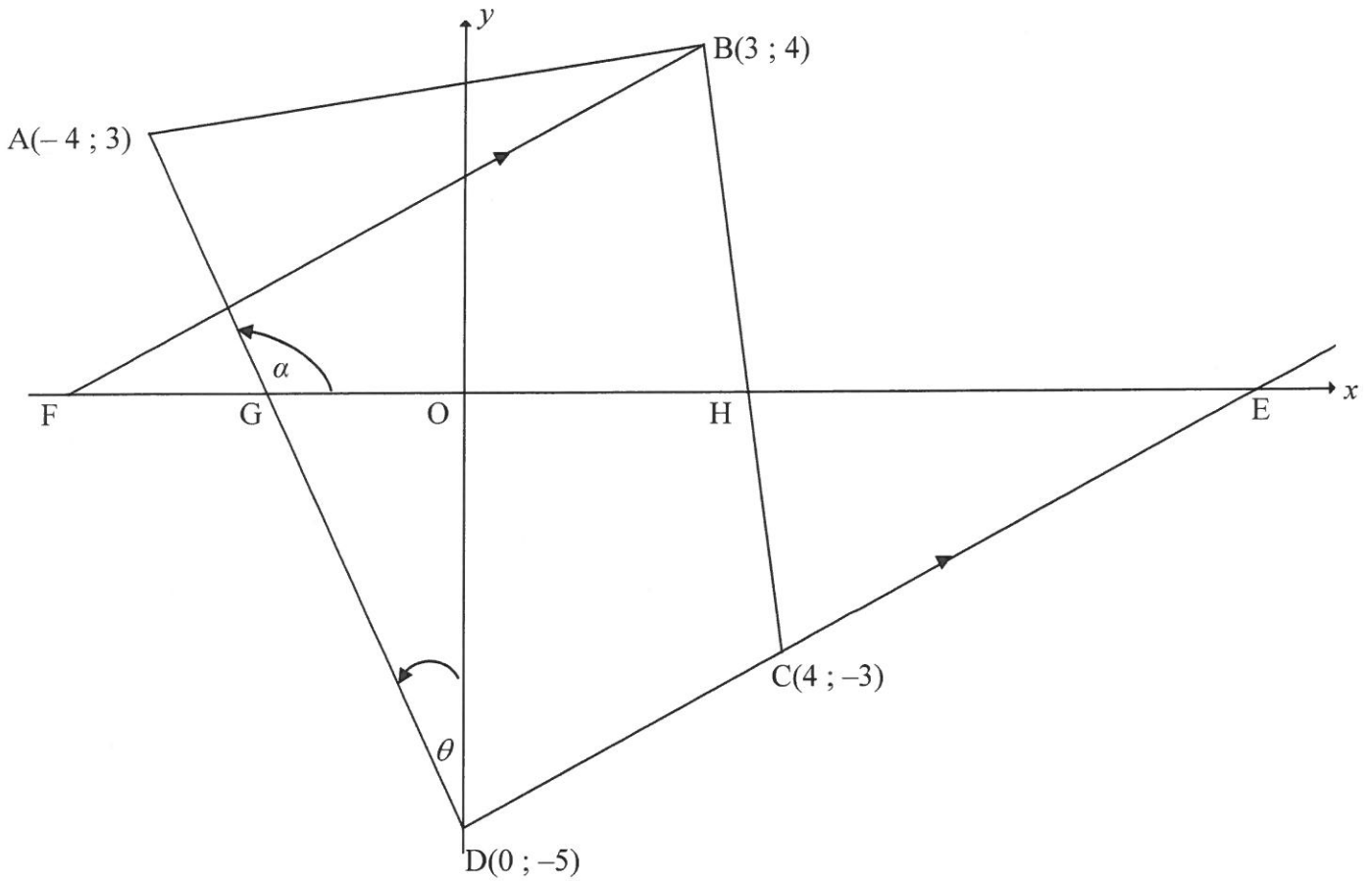
	Solution/Oplissing	Marks Punte
1.1		(3)
1.2		(2)
1.3		(1)
1.4		(2)
		[8]

QUESTION/VRAAG 2

	Solution/Oplissing			Marks/Punte																		
2.1				(1)																		
2.2	<table border="1"> <thead> <tr> <th>Commission earned (in thousands of rands) <i>Kommissie verdien (in duisende rand)</i></th> <th>Frequency <i>Frekwensie</i></th> <th>Cumulative frequency <i>Kumulatiewe frekwensie</i></th> </tr> </thead> <tbody> <tr> <td>$20 < x \leq 40$</td> <td>7</td> <td></td> </tr> <tr> <td>$40 < x \leq 60$</td> <td>6</td> <td></td> </tr> <tr> <td>$60 < x \leq 80$</td> <td>8</td> <td></td> </tr> <tr> <td>$80 < x \leq 100$</td> <td>10</td> <td></td> </tr> <tr> <td>$100 < x \leq 120$</td> <td>4</td> <td></td> </tr> </tbody> </table>	Commission earned (in thousands of rands) <i>Kommissie verdien (in duisende rand)</i>	Frequency <i>Frekwensie</i>	Cumulative frequency <i>Kumulatiewe frekwensie</i>	$20 < x \leq 40$	7		$40 < x \leq 60$	6		$60 < x \leq 80$	8		$80 < x \leq 100$	10		$100 < x \leq 120$	4				(2)
Commission earned (in thousands of rands) <i>Kommissie verdien (in duisende rand)</i>	Frequency <i>Frekwensie</i>	Cumulative frequency <i>Kumulatiewe frekwensie</i>																				
$20 < x \leq 40$	7																					
$40 < x \leq 60$	6																					
$60 < x \leq 80$	8																					
$80 < x \leq 100$	10																					
$100 < x \leq 120$	4																					
2.3	<p style="text-align: center;">OGIVE/OGIEF</p>			(4)																		

	Solution/Oplossing	Marks/ Punte
2.4		(2)
2.5		(3)
		[12]

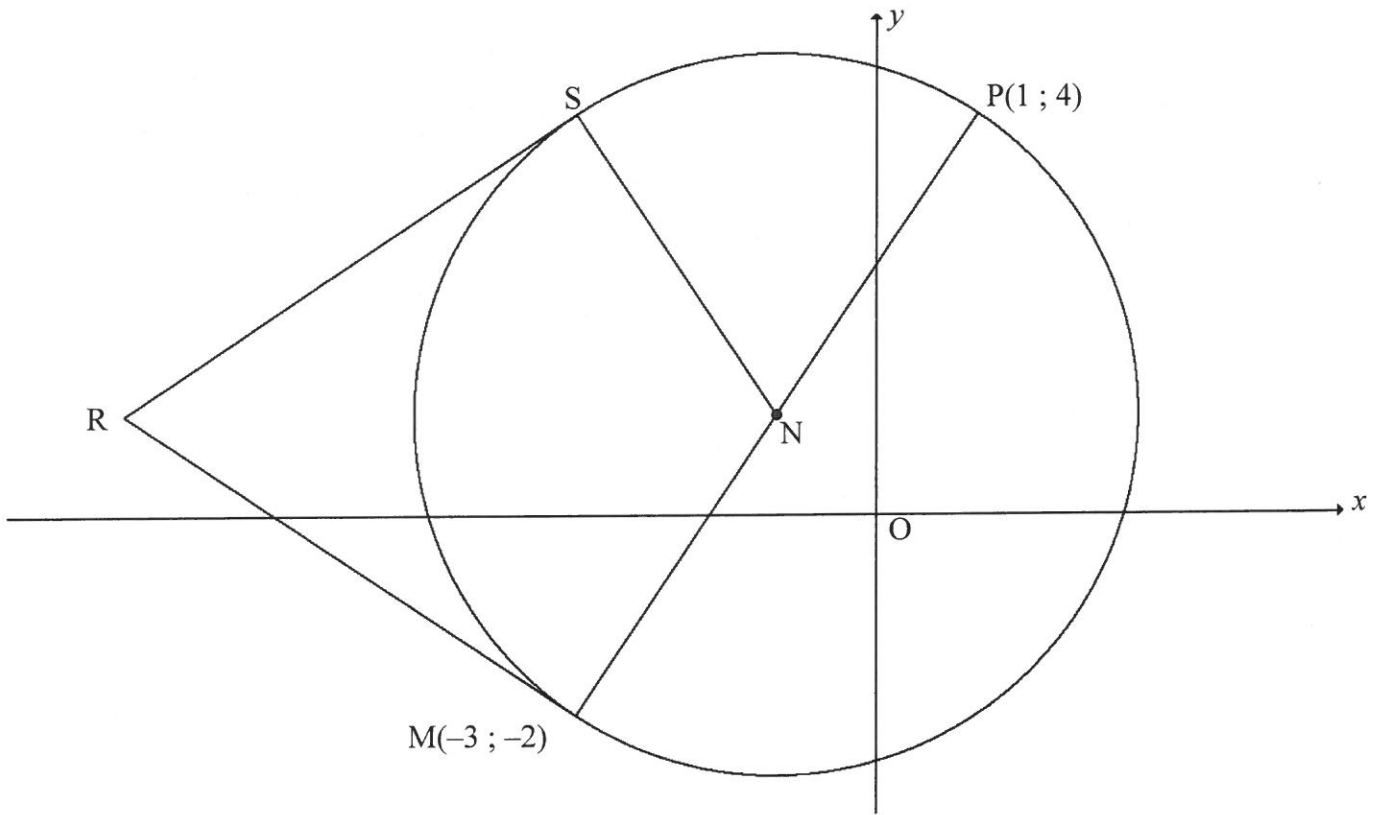
QUESTION/VRAAG 3



	Solution/Oplissing	Marks/Punte
3.1		
		(2)
3.2		
		(3)

	Solution/Oplissing	Marks/ Punte
3.3		(4)
3.4		(3)
3.5		(3)
3.6		(2)
		[17]

QUESTION/VRAAG 4



	Solution/Oplissing	Marks/ Punte
4.1		(3)
4.2		(4)

	Solution/Oplissing	Marks/ Punte
4.3		(5)
4.4		(2)
4.5		(4)
4.6		(4)
		[22]

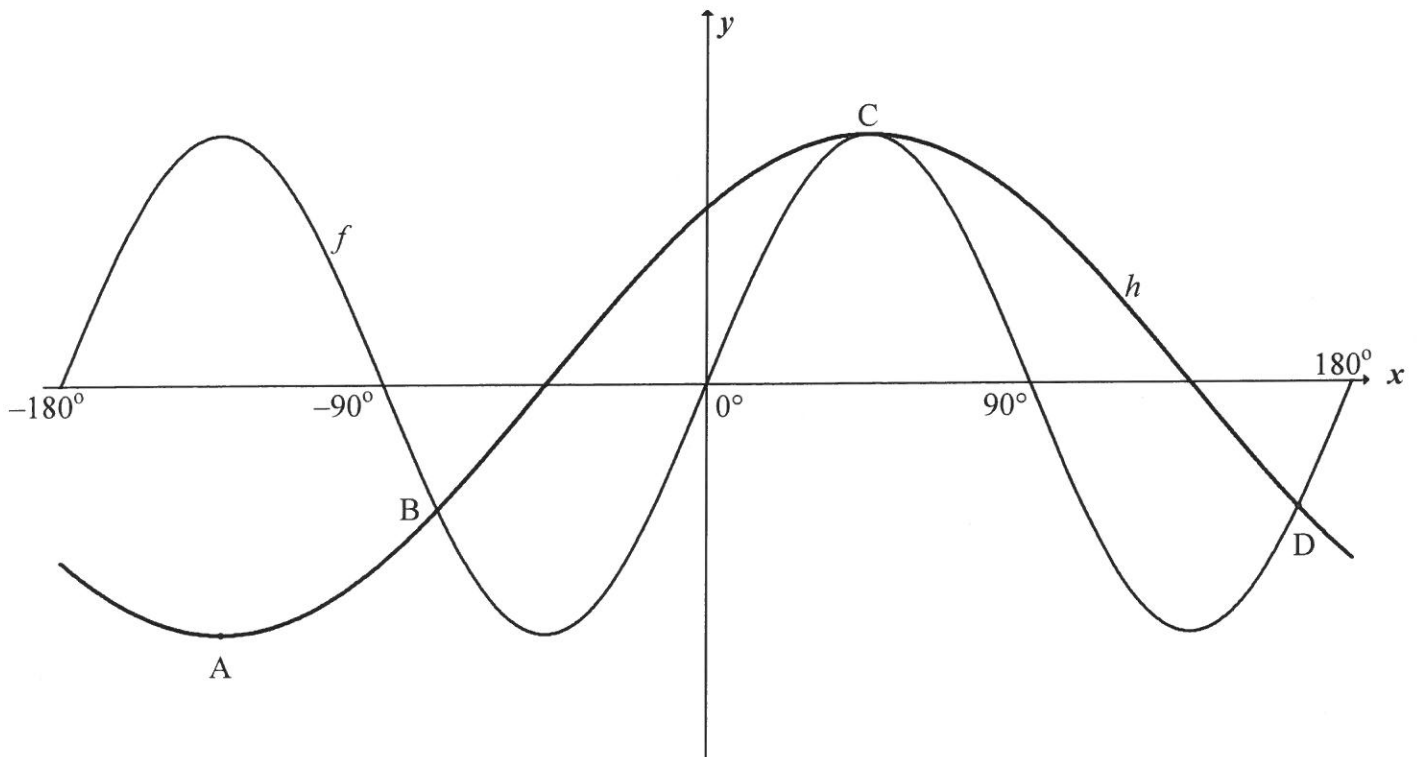
QUESTION/VRAAG 5

	Solution/Oplossing	Marks/ Punte
5.1.1		(2)
5.1.2		(3)
5.2		(6)

	Solution/Oplossing	Marks/ Punte
5.3.1		(1)
5.3.2		(5)
	5.4	

	Solution/Oplossing	Marks/ Punte
5.5.1		(3)
5.5.2		(2)
		[27]

QUESTION/VRAAG 6



	Solution/Oplissing	Marks/ Punte
6.1		(1)
6.2		(1)
6.3		(4)
		[6]

QUESTION/VRAAG 7

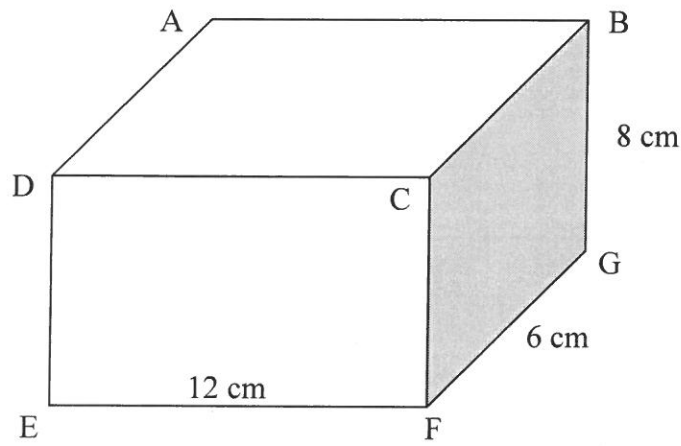


FIGURE (I)/FIGUUR (I)

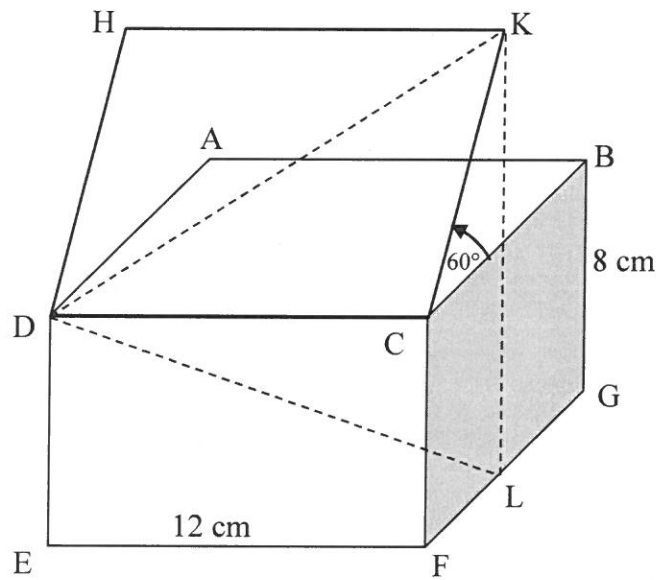
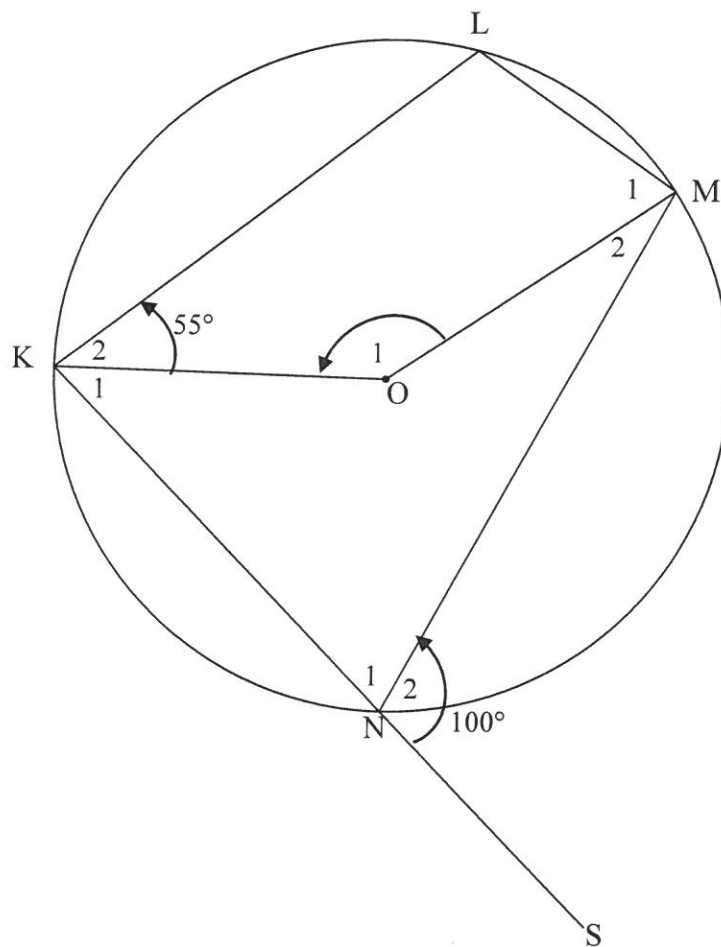


FIGURE (II)/FIGUUR (II)

	Solution/Oplissing	Marks/Punte
7.1		(1)

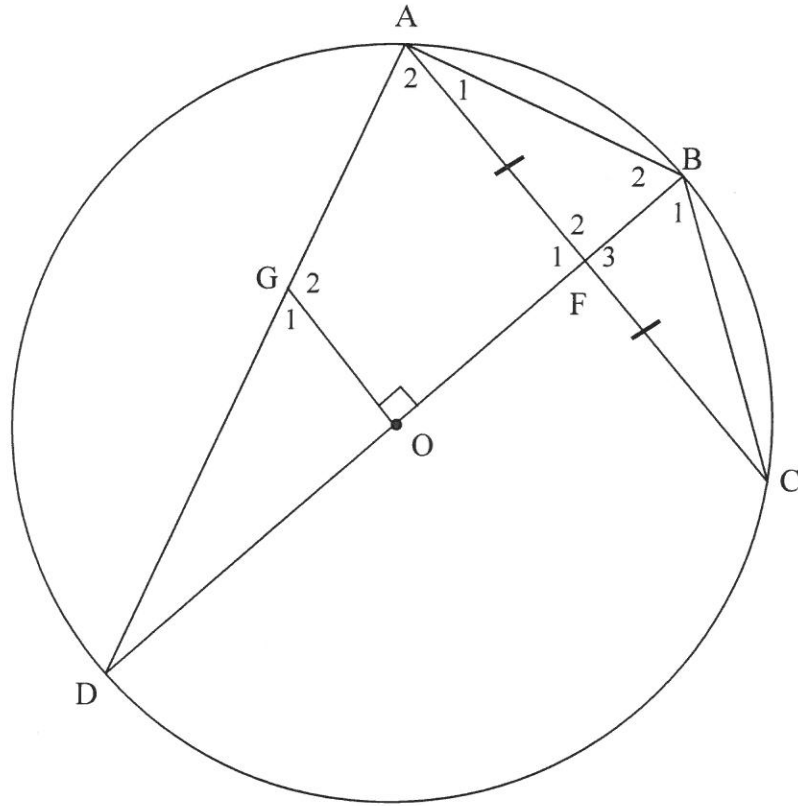
	Solution/Oplissing	Marks/ Punte
7.2		
7.3		
		(4) [8]

QUESTION/VRAAG 8



	Solution/Oplissing	Marks/ Punte
8.1		
		(2)

	Solution/Oplossing	Marks/ Punte
8.2		(3)
8.3		(2)
		[7]

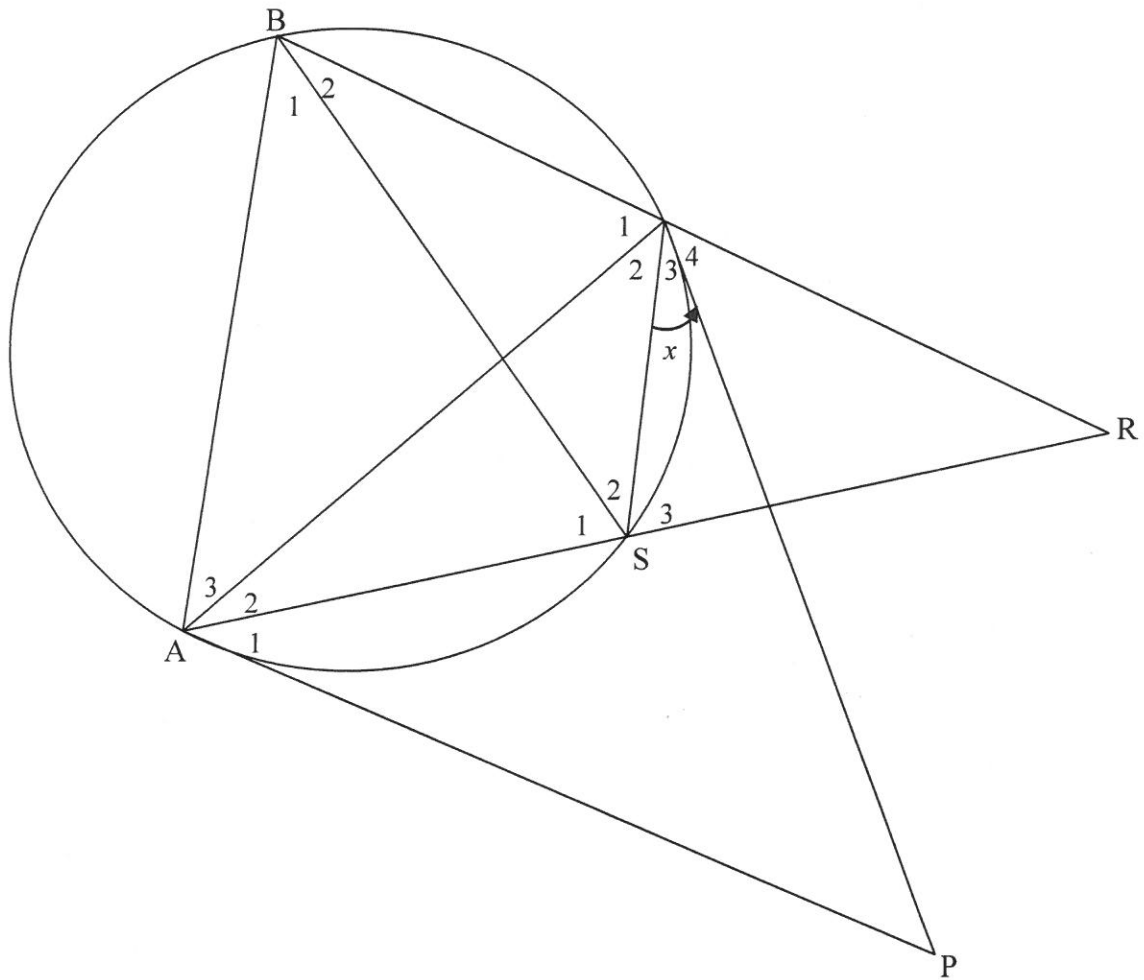


QUESTION/VRAAG 9

	Solution/Oplissing	Marks/Punte
9.1.1		(1)
9.1.2		(1)

	Solution/Oplossing	Marks/ Punte
9.2.1		(3)
9.2.2		(4)
9.3		(3)
		[12]

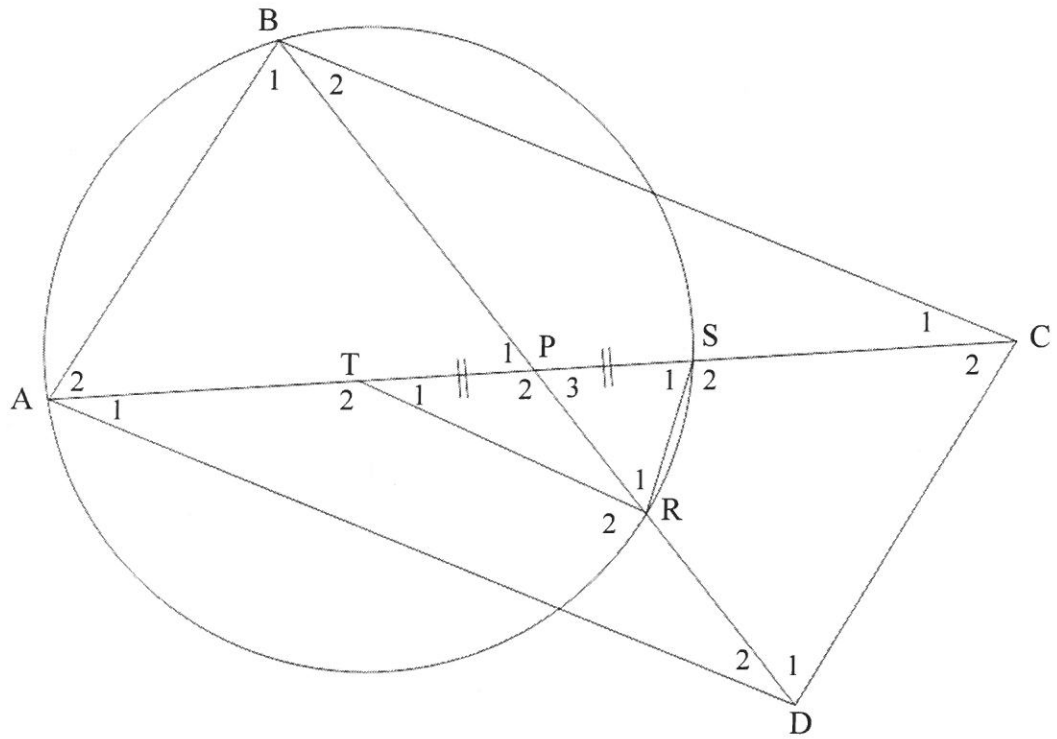
QUESTION/VRAAG 10



	Solution/Oplissing	Marks/ Punte
10.1		(1)

	Solution/Oplissing	Marks/ Punte
10.2.1		(5)
10.2.2		(5)
10.2.3		(2)
		[13]

11.2



	Solution/Oplissing	Marks/Punte
11.2.1(a)		(2)
11.2.1(b)		(5)

	Solution/Oplissing	Marks/ Punte
11.2.2(a)		(3)
11.2.2(b)		(2)
		[18]

