

SA's Leading Past Year

Exam Paper Portal

STUDY

You have Downloaded, yet Another Great Resource to assist you with your Studies 😊

Thank You for Supporting SA Exam Papers

Your Leading Past Year Exam Paper Resource Portal

Visit us @ [www.saexampapers.co.za](http://www.saexampapers.co.za)



SA EXAM  
PAPERS



# basic education

---

Department:  
Basic Education  
**REPUBLIC OF SOUTH AFRICA**

## **ELECTRICAL TECHNOLOGY (POWER SYSTEMS)**

### **GUIDELINES FOR PRACTICAL ASSESSMENT TASKS (PAT)**

**GRADE 12**

**2023**

**These guidelines consist of 44 pages.**

**TABLE OF CONTENTS**

	<b>PAGE</b>
<b>1. INTRODUCTION</b>	<b>3</b>
<b>2. TEACHER GUIDELINES</b>	<b>5</b>
2.1 How to administer PATs	5
2.2 How to mark/assess PATs	5
2.3 PAT Programme of Assessment (PAT PoA)	6
2.4 Moderation of PATs	7
2.5 Absence/Non-submission of tasks	7
2.6 Simulations	8
2.7 Projects	8
2.8 Working mark sheet	9
<b>3. LEARNER GUIDELINES</b>	<b>10</b>
3.1 PAT 2023 cover page	10
3.2 Instructions to the learner	11
3.3 Declaration of Authenticity (COMPULSORY)	11
<b>4. SIMULATIONS</b>	<b>12</b>
4.1 Simulation 1: Three-phase motor test	12
4.2 Simulation 2: Three-phase star-delta transformer	16
4.3 Simulation 3: Forward-reverse starter with overload	20
4.4 Simulation 4: Three-phase automatic star-delta motor starter with overload and timer using PLC	25
<b>5. SECTION B: DESIGN AND MAKE</b>	<b>30</b>
5.1 Design and Make: Part 1	31
5.2 Assessment of the Design and Make Phase: Part 1	33
5.3 Design and Make: Part 2	35
5.4 Assessment of the Design and Make Phase: Part 2	36
<b>6. PROJECTS</b>	<b>37</b>
6.1 Practical Project 6.1: Plug Tester	37
6.2 Practical Project 6.2: Automatic Battery Charger with Battery-voltage Bar-graph Display	39
6.3 Practical Project 6.3: Sound-to-light Controller	42
<b>7. CONCLUSION</b>	<b>44</b>

## 1. INTRODUCTION

The 18 Curriculum and Assessment Policy Statements subjects which contain a practical component all include a practical assessment task (PAT). These subjects are:

- **AGRICULTURE:** Agricultural Management Practices, Agricultural Technology
- **ARTS:** Dance Studies, Design, Dramatic Arts, Music, Visual Arts
- **SCIENCES:** Computer Applications Technology, Information Technology, Technical Sciences; Technical Mathematics
- **SERVICES:** Consumer Studies, Hospitality Studies, Tourism
- **TECHNOLOGY:** Civil Technology, Electrical Technology, Mechanical Technology and Engineering Graphics and Design

A practical assessment task (PAT) mark is a compulsory component of the final promotion mark for all candidates offering subjects that have a practical component and counts 25% (100 marks) of the end-of-the-year examination mark. The PAT is implemented across the first three terms of the school year. This is broken down into different phases or a series of smaller activities that make up the PAT. The PAT allows for learners to be assessed on a regular basis during the school year and it also allows for the assessment of skills that cannot be assessed in a written format, e.g. test or examination. It is therefore important that schools ensure that all learners complete the practical assessment tasks within the stipulated period to ensure that learners are resulted at the end of the school year. The planning and execution of the PAT differs from subject to subject.

Practical assessment tasks are designed to develop and demonstrate a learner's ability to integrate a variety of skills in order to solve a problem. The PAT also makes use of a technological process to inform the learner what steps needs to be followed to derive a solution for the problem.

The PAT consists of four simulations and a practical project. The teacher may choose any ONE of the practical projects and any TWO simulations available for POWER SYSTEMS.

The teacher must apply assessment on an ongoing basis at the same time that the learner is developing the required skills. TWO simulations should be completed by the learners, in addition to the manufacturing of a practical project.

The PAT incorporates all the skills the learner has developed throughout the year. The PAT ensures that all the different skills will be acquired by learners on completion of practical work, as well as the correct use of tools and instruments.

## Requirements for presentation

A learner must present the following:

- PAT file with all the evidence of simulations, design and prototyping. A copy of the PAT 2023 cover page. The relevant simulations and assessment sheets should be copied and handed to each learner to include in the file.
- Practical project with:
  - Enclosure:
    - The file must include a design.
    - The enclosure and the design must match.
    - No cardboard boxes are allowed.
    - Plastic wooden and metal enclosures are acceptable.
    - Enclosures that are manufactured and/or assembled by the learners are preferred.
    - The enclosure should be accessible for scrutiny inside.
    - Lids that are secured are preferred.
  - Circuit board:
    - The file should include the PCB design.
    - The PCB must be mounted inside the enclosure in such a manner that it can be removed for scrutiny. Alternatively, inspection can be made from the bottom in cases where translucent (see-through) enclosures are used.
    - Switches, potentiometers, connectors and other items must be mounted.
    - Wiring must be neat and bound/wrapped.
    - Wiring must be long enough to allow for the PCB to be removed and inspected with ease.
  - Logo and name:
    - The file should contain the logo and name design and specification plate.
    - Logo, specification plate and name must be prominent on the enclosure.
    - The logo/specification plate must be affixed in a permanent manner – painted, glued or stuck on with vinyl.

The PAT will have a financial impact on the school's budget and school management teams are required to make provision to accommodate this particular expense.

PAT components and other items must be acquired timeously, for use by the learners, before the end of the first term at the start of the academic year.

It is the responsibility of the HOD to ensure that the teacher is progressing with the PAT from the start of the school year.

Provincial departments are responsible for setting up moderation timetables and consequently PATs should be completed in time for moderation.

## 2. TEACHER GUIDELINES

### 2.1 How to administer PATs

Teachers must ensure that learners complete the simulations required for each term. The project should be started in January in order to ensure its completion by August. In instances where formal assessments take place, the teacher has to assume the responsibility thereof.

The PAT should be completed during the FIRST THREE TERMS and must be ready at the start of PAT moderation. Teachers must make copies of the relevant simulations and hand them to learners at the beginning of each term.

**The PAT must NOT be allowed to leave the workshop and must be kept in a safe place at all times when learners are not working on them.**

The weightings of the PAT must be adhered to and teachers are not allowed to change weightings for the different sections.

### 2.2 How to mark/assess the PATs

The PAT for Grade 12 will be set and assessed internally, but moderated externally. All formal assessment will be done by the teacher.

The teacher is required to produce a working model and model answer file that sets the baseline for assessment at a Highly Competent Level for every project choice exercised by the learners. This file must include all the simulations with answers the teacher has done him/herself. The teacher will use the model answers and project to assess the simulations and projects of the learners.

Once a facet sheet has been completed by the teacher, assessment will be deemed to be complete. No re-assessment will be done once the facet sheets have been completed and captured by the teacher. Learners must ensure that the work is done to the required standard before the teacher finally assesses the PAT during each stage of completion.

### 2.3 PAT Programme of Assessment (PAT PoA)

The programme of assessment (PoA) of the PAT is as follows:

TIME FRAME	ACTIVITY	RESPONSIBILITY
	Preparation for PAT 2023	Teacher – Builds the models and works out the model answers for the simulations. Identifies shortages in tools, equipment and consumable items for simulations that must be procured. SMT – Receives procurement requests from teachers and processes payments for the acquisition of required items
January–March 2023	Simulation 1	Teacher – Copies and hands out simulations Learners – Complete simulations Teacher – Assesses simulations HOD – Checks if tasks have been completed and marked by the teacher before the holidays
January 2023	PAT project – procurement	Teacher – Obtains quotations for PAT projects Principal – Approves PAT procurement for PAT projects Teacher – Ensures that PAT projects are ordered and delivered HOD – Checks in on teacher to see if the process is adhered to
February 2023	PAT project – learners commence with project	Teacher – Ensures that there is secure storage for PAT projects Teacher – Hands out and takes in PAT projects Teacher – Includes practical sessions for learners to complete the PAT project every week Learners – Commence with completion of the PAT project HOD – Checks in on teacher to ensure that practical workshop sessions take place on a weekly basis
April–June 2023	Simulation 2	Teacher – Copies and hands out simulations Learners – Complete simulations Teacher – Assesses simulations HOD – Checks if tasks have been completed and marked by the teacher before the holidays
April–June 2023	Moderation of Simulation 1	District subject facilitator/subject specialist will visit the school and moderate Simulation 1 10% of learners' work is moderated
April–June 2023	PAT project – learners continue with project	Teacher – Ensures that there is secure storage for PAT projects Teacher – Hands out and takes in PAT projects Teacher – Includes practical sessions every week for learners to complete the PAT project Learners – Continue with completion of the PAT project HOD – Checks in on teacher to ensure that practical workshop sessions take place on a weekly basis
July holidays 2023	PAT intervention	Learners that are behind on the PAT are required to complete the project during these holidays.
July–August 2023	Moderation of Simulation 2	District subject facilitator/subject specialist will visit the school and moderate Simulation 2 – different learners from the previous term 10% of learners' work is moderated
July–August 2023	PAT project – completion	Teacher – Ensures that there is secure storage for PAT projects Teacher – Hands out and takes in PAT projects Teacher – Completes the PAT project with learners and compiles the PAT file Learners – Complete the PAT project and file HOD – Checks to see that 100% of the PAT files and projects are completed and assessed
September–October 2023	PAT moderation	PAT projects are moderated by subject facilitators/subject specialists from the province and learners are available to demonstrate skills 10% of learners are moderated randomly

## 2.4 Moderation of PATs

Provincial moderation of each term's simulations will start as early as the following term. Simulation 1 should be moderated as soon as the second term starts. Similarly, Simulation 2 will be moderated in July. The project will, however, only be moderated on completion.

During moderation of the PAT, the learner's file and project must be presented to the moderator.

The moderation process is as follows:

- During moderation, learners are randomly selected to demonstrate the different simulations. All four simulations will be moderated.
- The teacher is required to build an exemplar model of each project type chosen for the school.
- This model must be on display during moderation.
- The teacher's model forms the standard of the moderation at Level 4 (Highly Competent).
- Level 5 assessments must exceed the model of the teacher in skill and finishing.
- Learners who are moderated will have access to their files during moderation and may refer to the simulations they completed earlier in the year.
- Learners may NOT ask assistance from other learners during moderation.
- All projects and files must be on display for the moderator.
- If a learner is unable to repeat the simulation or cannot produce a working circuit during moderation, marks will be deducted and circuits assessed as not being operational.
- The moderator will randomly select no fewer than two projects (not simulations) and the learners involved will have to explain how the project was manufactured.
- Where required, the moderator should be able to call on the learner to explain the function and principles of operation, and request the learner to exhibit the skills acquired through the simulations for moderation purposes.
- On completion the moderator will, if needed, adjust the marks of the group upwards or downwards, depending on the outcome of moderation.
- Normal examination protocols for appeals will be adhered to, if a dispute arises from adjustments made.

## 2.5 Absence/Non-submission of tasks

The absence of a PAT mark in Electrical Technology without a valid reason: The learner will be given three weeks before the commencement of the final end-of-year examination to submit the outstanding task. Should the learner fail to fulfil the outstanding PAT requirement, such a learner will be awarded a zero (0) for that PAT component.



## 2.6 Simulations

Simulations are circuits, experiments and tests/tasks which the learner will have to build, test and measure and practically do as part of the development of practical skills. These skills have to be illustrated to the external moderator that visits the school at intervals during the school year.

Teachers who make use of simulation programs on a computer may use them for the learners to practise on. However, it is required that the circuit be built using real components and that measurements be made with actual instruments for the purposes of assessment and moderation.

The correct procedure for completing simulations is outlined below for teachers and school management teams who are responsible for the implementation of the PAT in Electrical Technology.

- STEP 1: The teacher will choose simulations from simulations that are provided.
- STEP 2: Compile a list of the components needed for every simulation. Add extra components as these items are very small and you will need extras, as these items get lost/damaged very easily when learners work on them.
- STEP 3: Contact three different electronics component suppliers for comparative quotations.
- STEP 4: Submit the quotations to the SMT for approval and procurement of the items.
- STEP 5: Place the components in storage. Collate items for each simulation, thus making it easier to distribute and use during practical sessions. Ensure that different values of components do not mix, as this would lead to components being used incorrectly and this could damage the component and in extreme cases, the equipment used.
- STEP 6: Copy the relevant simulations and hand them out to learners at the start of the term.

Teachers are allowed to adjust circuits and component values to suit their environment/resource availability.

Teachers are required to develop a set of model answers in the teacher's file. Moderators will use the teacher's model answers and artefacts when moderating.

## 2.7 Projects

The projects are construction projects teachers can choose for their learners. These projects are based on proven circuits provided by schools and subject advisors. The projects are based on working prototypes and require careful construction in order for it to operate correctly.

Projects vary in cost and teachers must ensure that the projects chosen fall within the scope of the school's budget.

Once the teacher has decided on a circuit, he/she must construct the prototype. Thereafter, copies of the provided circuit can be made and distributed to learners. They **MUST** redraw these circuits in their files correctly.

The description of the operation of the circuits is **NOT** complete. Learners are required to interrogate the function of the components in the provided circuit. Learners should elaborate on the purpose of components in the circuit. It is recommended that learners investigate similar circuits available on the internet and in the school library or workshop reference books.

**2.8 Working mark sheet**

(A working Excel file is provided with this PAT.)

PAT mark sheet		Term 1	Term 2	Project		Total = Term 1 + Term 2 + Project	Mark out of 100	Moderated Mark
No.	Name of Learner	Simulation 1	Simulation 2	Design and Make Part 1	Design and Make Part 2			
		50	50	120	30	250		
1.								
2.								
3.								
4.								
5.								
6.								
7.								
8.								
9.								
10.								
11.								
12.								
13.								
14.								
15.								
	<b>Total</b>							
	<b>Average</b>							

Teacher Name: \_\_\_\_\_

Principal Name: \_\_\_\_\_

Moderator Name: \_\_\_\_\_

Signature: \_\_\_\_\_

Signature: \_\_\_\_\_

Signature: \_\_\_\_\_

Date: \_\_\_\_\_

Date: \_\_\_\_\_

Date: \_\_\_\_\_

**3. LEARNER GUIDELINES****3.1 PAT 2023 COVER PAGE**

(Place this page at the front of the PAT.)

**Department of Basic Education Grade 12  
CAPS for Technical High Schools Practical Assessment Task – Electrical Technology**

Time allowed: Terms 1–3 (2023)

Learner Name: \_\_\_\_\_

Class: \_\_\_\_\_

School: \_\_\_\_\_

Specialisation: POWER SYSTEMS

Complete any **TWO** simulations.

Project (Write the name of the project): \_\_\_\_\_

Evidence of moderation:

**NOTE:**

When the learner evidence selected has been moderated at school level, the table will contain evidence of moderation. Provincial moderators will sign the provincial moderation and only sign if re-moderation is needed.

Moderation	Signature	Date	Signature	Date
School-based				
District moderation				
Provincial moderation			Re-moderation	

Mark allocation

PAT Component	Maximum Mark	Learner Mark	Moderated Mark
Simulation 1	50		
Simulation 2	50		
Design and Make Project – Circuit	120		
Design and Make Project – Enclosure	30		
<b>Total</b>	<b>250</b>		

### 3.2 Instructions to the learner

- The practical assessment task counts 25% of your final promotion mark.
- All work produced by you must be your own effort. Group work and co-operative work are NOT allowed.
- The practical assessment task must be completed over three terms.
- The PAT file must contain TWO simulations and a practical project.
- Calculations should be clear and include units. Calculations should be rounded off to TWO decimals. SI units should be used.
- Circuit diagrams can be hand-drawn or drawn on CAD. NO photocopies or scanned files are allowed.
- Photos are allowed and may be in colour or greyscale. Scanned photos and photocopies are allowed.
- This document must be placed inside your PAT file together with the other evidence.
- Learners with identical photos will be penalised and receive zero for that section.

### 3.3 Declaration of Authenticity (COMPULSORY)

Declaration:

I \_\_\_\_\_ (name) herewith declare that the work represented in this evidence is entirely my own effort. I understand that if proven otherwise, my final results may be withheld.

\_\_\_\_\_  
Signature of learner

\_\_\_\_\_  
Date

**4. SIMULATIONS**

**4.1 Simulation 1: Three-phase motor test**

Name of learner: _____	Mark	50
Class: _____	Date completed: _____	
Date Assessed: _____	Assessor Signature: _____	
Date Moderated: _____	Moderator Signature: _____	

**4.1.1 Purpose:**

- To conduct a visual and mechanical and electrical inspection/test of a three-phase motor using measuring instruments

**4.1.2 Required resources:**

TOOLS/INSTRUMENTS	MATERIALS
Three-phase AC electrical motor Multimeter Insulation tester (megger)	

**4.1.3 Procedure:**

Use the list below to conduct an inspection/test on an AC three-phase electrical motor.

Complete the results in the table below.

**ACTIVITY A**

Complete details on the nameplate of the motor that is tested. (The information must be written as it appears on the nameplate of the motor, i.e. write the values of the voltage and the current as is on the nameplate.)

Phase: \_\_\_\_\_ Voltage: \_\_\_\_\_

Pole pairs: \_\_\_\_\_ Speed: \_\_\_\_\_

Efficiency: \_\_\_\_\_ Current: \_\_\_\_\_

Power rating: \_\_\_\_\_ Frequency: \_\_\_\_\_

(8)

**ACTIVITY B**

Complete the table below.

**NOTE:** These testing procedures are conducted when the motor is electrically isolated from the supply.

DESCRIPTION	ELECTRICAL INSPECTION/ TESTING AND READINGS TAKEN	MARKS ALLOCATED
<b>Condition of windings: Measurements taken</b>		
<b>TEST 1: Continuity of windings (Write the reading shown on the multimeter in ohms.) (3 marks)</b>		
U1 – U2		
V1 – V2		
W1 – W2		
<b>TEST 2: Insulation resistance between windings (Write the reading shown on the insulation resistance tester in mega-ohms.) (3 marks)</b>		
U1 – V1		
U1 – W1		
V1 – W1		
<b>TEST 3: Insulation resistance to Earth (Write the reading shown on the insulation resistance tester.) (3 marks)</b>		
U1 – Earth		
V1 – Earth		
W1 – Earth		
<b>TEST 4: Visual and mechanical inspection Note all errors (brief description). (3 marks)</b>		
Test if the rotor is free to rotate.		
Check if the motor interior is free from dust, water and oil.		
Test the play in bearings.		
<b>Condition of motor frame (Brief description) (6 marks)</b>		
Condition of termination box		
Flange/Foot mount		
Front/Back-end shield		
Stator/Field housing		
Mounting bolts and nuts/screws		
Condition of cooling fan, fan cover and cooling fins		

(18)

4.1.4 Draw the terminal box showing the coils and terminals of the tested three-phase motor.

**NOTE:** Correct labelling of the terminals of the motor and earth. (3)  
Correct layout of the internal coils of the motor you tested. (3) (6)

4.1.5 According to the regulation, state the minimum acceptable resistance between the windings when an insulation resistance test is conducted. (1)

---

4.1.6	Conducted test	Acceptable/Not acceptable (Motivate your answer.)	
	Winding resistance		(2)
	Insulation resistance		(2)
	Earth resistance		(2)
	State, with a reason, whether the motor can be used or not.		(2)

**NOTE: Learner competency in this context will mean the following:  
(This is done for easy assessment when using a rubric.)**

<b>Not yet competent</b>	Have not met the requirements and will be given another opportunity for reassessment. <ul style="list-style-type: none"> <li>• Be precise about what they did wrong, or the areas they need to improve in.</li> <li>• Explain clearly the level of skill they need to achieve to be assessed as 'competent'.</li> <li>• Indicate whether part or all of the assessment event will need to be repeated.</li> </ul>
<b>Competent</b>	Have the necessary ability, knowledge or skill to complete the task successfully. <ul style="list-style-type: none"> <li>• Acceptable and satisfactory, though not outstanding.</li> </ul>
<b>Outstanding</b>	Went beyond expectation (neatness, proficiency – high degree of skills, expertise)

## FACET SHEET FOR SIMULATION 1

Task description	Mark allocation (tick the appropriate level next to the task indicated)				Allocation of marks
	Not yet competent after reassessment of certain/all parts of the task	Competent after reassessment of certain parts of the task	Competent	Outstanding (Highly competent)	
<b>Continuity and insulation resistance tests</b>	The learner was given opportunities to redo part of continuity and insulation resistance tests after the teacher intervened in identifying and rectifying mistakes. <b>(1)</b>	The learner was given opportunities to redo continuity and insulation resistance tests after the teacher intervened in identifying and rectifying mistakes. <b>(2)</b>	The learner correctly did continuity and insulation resistance tests on the motor without the guidance of the teacher. <b>(3)</b>	The learner correctly did continuity and insulation resistance tests on the motor without the guidance of the teacher and went beyond expectations and with high proficiency. <b>(4)</b>	$\overline{4}$
<b>Safety aspects</b>	The learner was timeously reminded to apply safety rules, regulation and correct procedure when using tools and instruments. <b>(1)</b>	The learner was sometimes reminded to apply safety rules, regulation and correct procedure when using tools and instruments. <b>(2)</b>	The learner applied safety rules, regulation and correct procedure when using tools and instruments to wire the circuits without being reminded by the teacher. <b>(3)</b>		$\overline{3}$
<b>Attitude/ Behaviour/ Conduct</b>	The learner was reluctant to work, cooperate, take responsibility of their own conduct and follow instructional, regulation and workshop practice even after being cautioned/reprimanded. <b>(0)</b>	The learner was reluctant to a certain degree to work, cooperate, take responsibility of their own conduct and follow instructional, regulation and workshop practice. <b>(1)</b>	The learner demonstrated willingness to work, cooperate, take responsibility of their own conduct and follow instructional, regulation and workshop practice. <b>(2)</b>		$\overline{2}$
<b>Rubric</b>					<b>/9</b>
<b>Motor test</b>					<b>+ /41</b>
<b>Total Simulation 1</b>					<b>= /50</b>



**4.2 Simulation 2: Three-phase star-delta transformer**

Name of learner: _____		Mark	<div style="border: 1px solid black; padding: 5px; display: inline-block;"> <p style="margin: 0;">_____</p> <p style="margin: 0; font-weight: bold;">50</p> </div>
Class: _____	Date completed: _____		
Date Assessed: _____	Assessor Signature: _____		
Date Moderated: _____	Moderator Signature: _____		

**4.2.1 Purpose:**

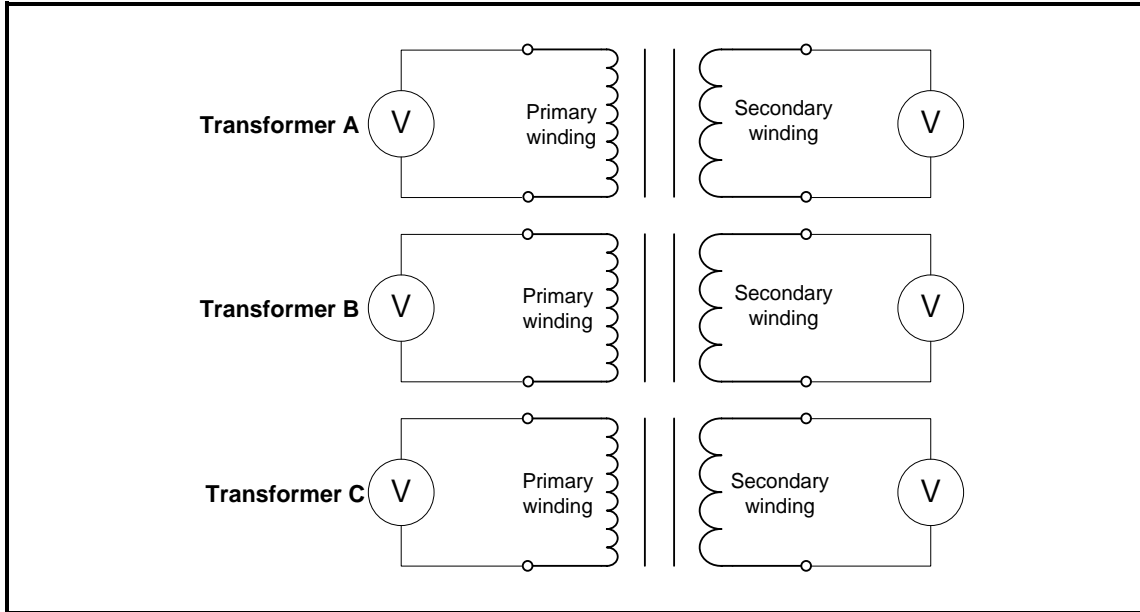
- To test three single-phase transformers to determine their turn's ratio
- To connect three identical single-phase step-down transformers in star-delta to a three-phase supply
- To connect the secondary to a load that consists of three identical incandescent lamps that are connected in star
- To measure the primary and secondary line and phase voltages and currents
- To write a conclusion on the voltages and currents in star vs delta

**4.2.2 Required resources:**

TOOLS/INSTRUMENTS	MATERIALS
Three identical step-down single-phase transformers Three-phase supply Clamp meter and multimeter Wire stripper Long-nose pliers Screwdriver Side cutters	Connecting wires Three identical incandescent lamps

**4.2.3 Procedure:**

Connect the primary windings of each transformer to a single-phase supply and the secondary to the load (lamp).  
 Complete TABLE 4.2.3 by measuring the primary and secondary voltages of each single-phase transformer before proceeding.  
**NOTE:** Use single phase to connect (live and neutral).  
 Determine whether the transformers used are safe to use as a three-phase unit.  
 Connect the primary windings of the three single-phase transformers in star. (Teacher checks the connection.)  
 Connect the secondary windings of the three single-phase transformers in delta. (Teacher checks the connection.)  
 Connect the load (lamps) in star. (Teacher checks the connection.)  
 Connect the supply to the primary windings and the load to the secondary windings. (Teacher checks the connection.)  
 Complete TABLE 4.2.4.



**FIGURE 4.2.3: THREE SINGLE-PHASE TRANSFORMERS**

TRANSFORMER	PRIMARY VOLTAGE	SECONDARY VOLTAGE
A	$V_{PRIM(A)} =$	$V_{SEC(A)} =$
B	$V_{PRIM(B)} =$	$V_{SEC(B)} =$
C	$V_{PRIM(C)} =$	$V_{SEC(C)} =$

**TABLE 4.2.3**

(6)

4.2.4 Calculate the transformer ratio of each single-phase transformer using the voltage values in TABLE 4.2.3.

TRANSFORMER A	TRANSFORMER B	TRANSFORMER C
$TR_A = \frac{V_{PRIM(A)}}{V_{SEC(A)}}$	$TR_B = \frac{V_{PRIM(B)}}{V_{SEC(B)}}$	$TR_C = \frac{V_{PRIM(C)}}{V_{SEC(C)}}$

**TABLE 4.2.4**

(2 x 3)

(6)

4.2.5 Explain whether these transformers are fit to be used as a star-delta-connected three-phase unit.

**NOTE:** Your answer must be informed by transformer ratio calculations.

---



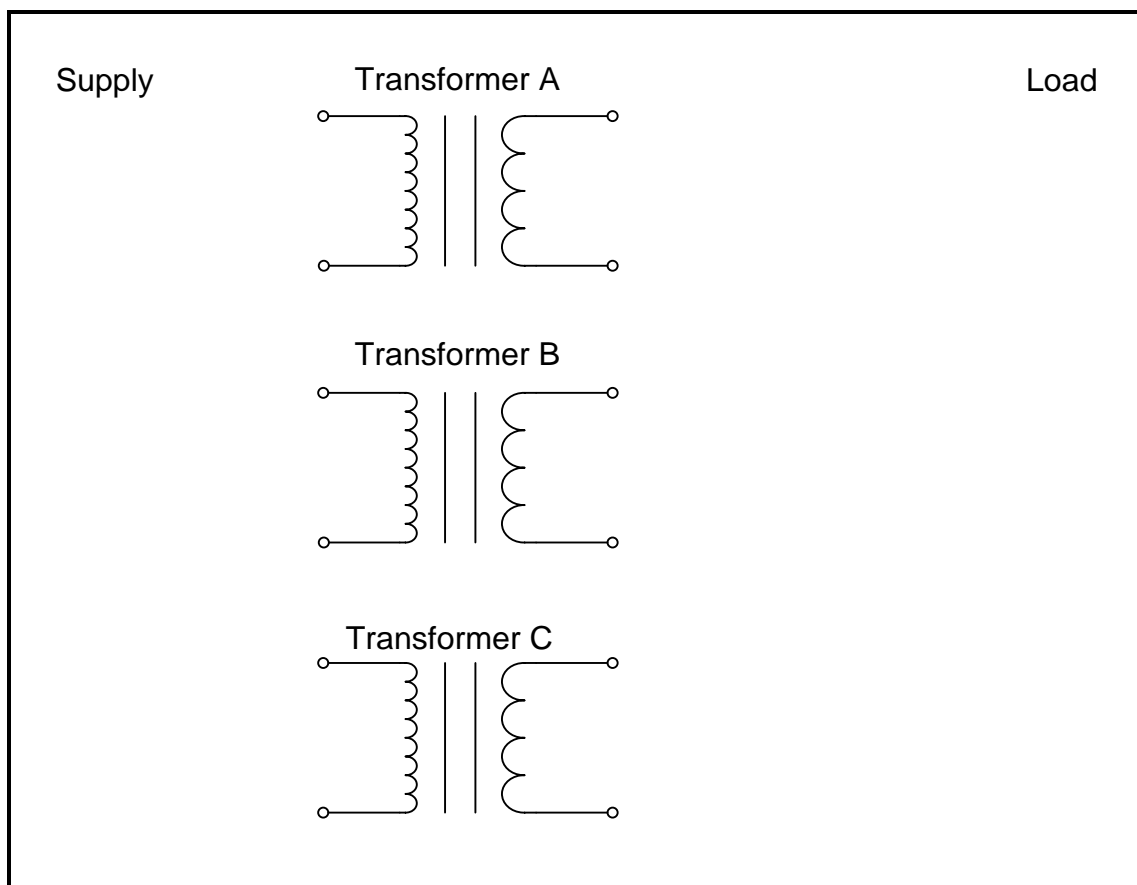
---



---

(2)

4.2.6 Draw the circuit diagram in which these transformers are connected in a star-delta configuration using colour coding and correct labelling. Show the connection of the load in star and connected to the secondary coils of the transformer.



**STAR-DELTA CONFIGURATION TRANSFORMER**

**NOTE:** 2 marks for primary connection in star (star point)  
 3 marks for secondary delta connection  
 2 marks for load star connection (star point)  
 3 marks for connecting the secondary lines to the load (3 x line)

(10)

4.2.7 Connect THREE identical single-phase step-down transformers in star-delta to a three-phase supply.

Connect the primary (star) to the three-phase supply and the secondary (delta) to a load that consists of three identical incandescent lamps.

The lamps must be connected in star.

**NOTE:**

- The secondary voltage of the transformer is not critical. The only requirement is that the secondary voltage and the voltage of the lamps must be compatible.
- It is the duty of the teacher to verify that the learners connect the transformers correctly, before connecting the mains supply. If you are not entirely sure of your connections, do NOT switch on. Test for short circuits.
- Mains supply can be lethal. Be extremely careful.

4.2.8 Measure the primary and secondary line and phase voltages and currents. Record the readings in the table below.

<b>Primary side</b>		
Readings for line voltages, phase and line currents		
$V_{L1} \text{ \& } V_{L2} =$	$V_{L1} \text{ \& } N =$	$I_{L1} =$
$V_{L1} \text{ \& } V_{L3} =$	$V_{L2} \text{ \& } N =$	$I_{L2} =$
$V_{L2} \text{ \& } V_{L3} =$	$V_{L3} \text{ \& } N =$	$I_{L3} =$
<b>Secondary side (on the transformer coils)</b>		
Readings for line and phase voltages, line and phase currents		
$V_{L1} \text{ \& } V_{L2} =$	$I_{PH1} =$	$I_{L1} =$
$V_{L1} \text{ \& } V_{L3} =$	$I_{PH2} =$	$I_{L2} =$
$V_{L2} \text{ \& } V_{L3} =$	$I_{PH3} =$	$I_{L3} =$

**TABLE 4.2.8**

(18)

4.2.9 Calculate the primary and secondary apparent power by using  $S = \sqrt{3} V_L I_L$ .


(2 x 2) (4)

4.2.10 Compare the primary and secondary measurements in TABLE 4.2.8 to write a conclusion.

---



---



---



---

(4)  
**[50]**

**4.3 Simulation 3: Forward-reverse starter with overload**

Name of learner: _____		Mark	<div style="border: 1px solid black; padding: 5px; display: inline-block;">                 _____  <b>50</b> </div>
Class: _____	Date completed: _____		
Date Assessed: _____	Assessor Signature: _____		
Date Moderated: _____	Moderator Signature: _____		

**4.3.1 Purpose:**

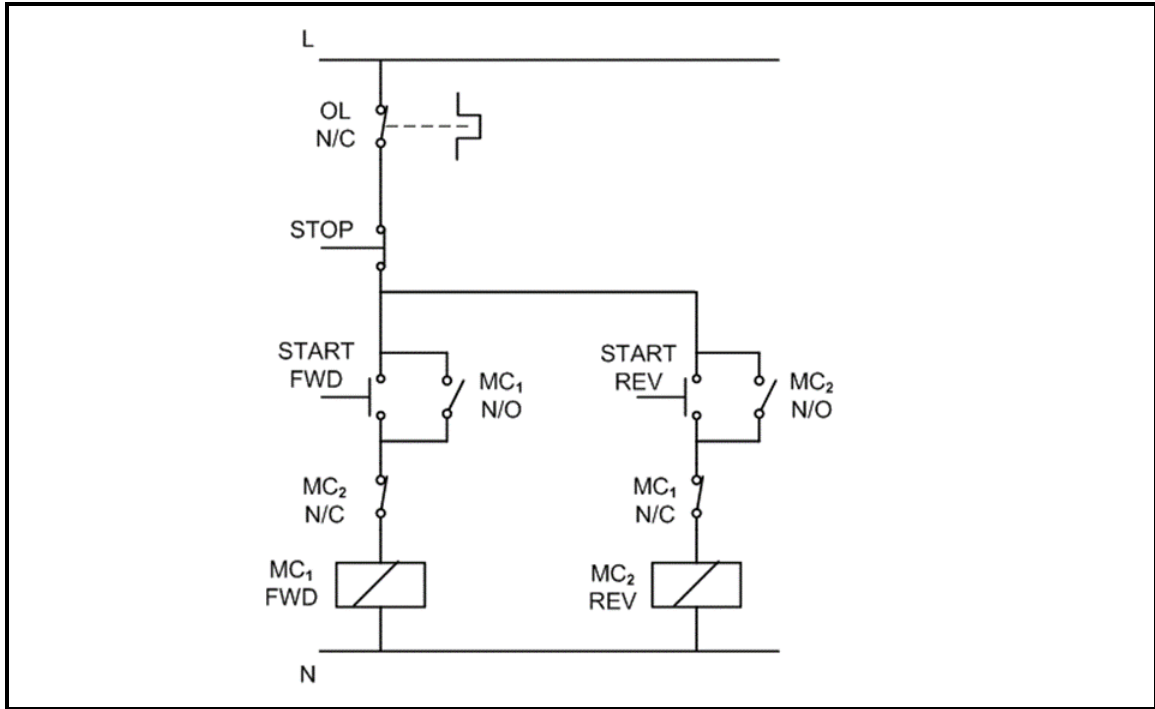
- To wire a forward-reverse motor starter and change the direction of rotation of a three-phase induction motor
- To find the fault inserted by the teacher

**4.3.2 Required resources:**

TOOLS/INSTRUMENTS	MATERIALS
2 x three-phase contactors with auxiliary contacts (for forward and reverse connection) 1 x three-phase main contactor 1 x three-phase overload relay 1 x stop button 2 x start buttons 1 x three-phase induction motor Correct wire size or plug-in leads Wire stripper Long-nose pliers Screwdriver Side cutters	Multimeter or continuity tester Multimeter or voltmeter Clamp-on ammeter

**4.3.3 Procedure A:**

Build the control circuit on the panels and let the teacher check it before switching on the supply.



**FIGURE 4.3.3(a): FORWARD-REVERSE CONTROL CIRCUIT**

Consider all safety aspects before and during the wiring process and be cautious until the circuit is operating.

Build the control circuit to test the operation.

Ask your teacher to check the control circuit before switching the supply on.

(a) Press the 'START FWD' button and observe.  
Did MC<sub>1</sub> energise? Yes/No \_\_\_\_\_ (1)

(b) Press the 'START REV' button without pressing the stop button and observe.  
Did MC<sub>2</sub> energise? Yes/No \_\_\_\_\_ (1)

Motivate why.

---

---

---

(4)

(c) Press the STOP button.

(d) Press the START REV button and observe.  
Did MC<sub>2</sub> energise? Yes/No \_\_\_\_\_ (1)

(e) Press the 'START FWD' button without pressing the stop button and observe.  
Did MC<sub>1</sub> energise? Yes/No \_\_\_\_\_ (1)

Motivate why.

---

---

---

(4)

(f) Explain the operation of the control circuit.

---

---

---

---

---

---

---

---

---

---

---

---

---

---

---

---

---

---

---

---

---

---

---

---

---

---

---

---

---

---

(7)

(g) With reference to the power (main) and control circuits, explain how the direction of rotation is changed by this motor starter.

---

---

---

---

---

---

---

---

---

---

---

---

---

---

---

---

---

---

---

---

---

---

---

---

---

---

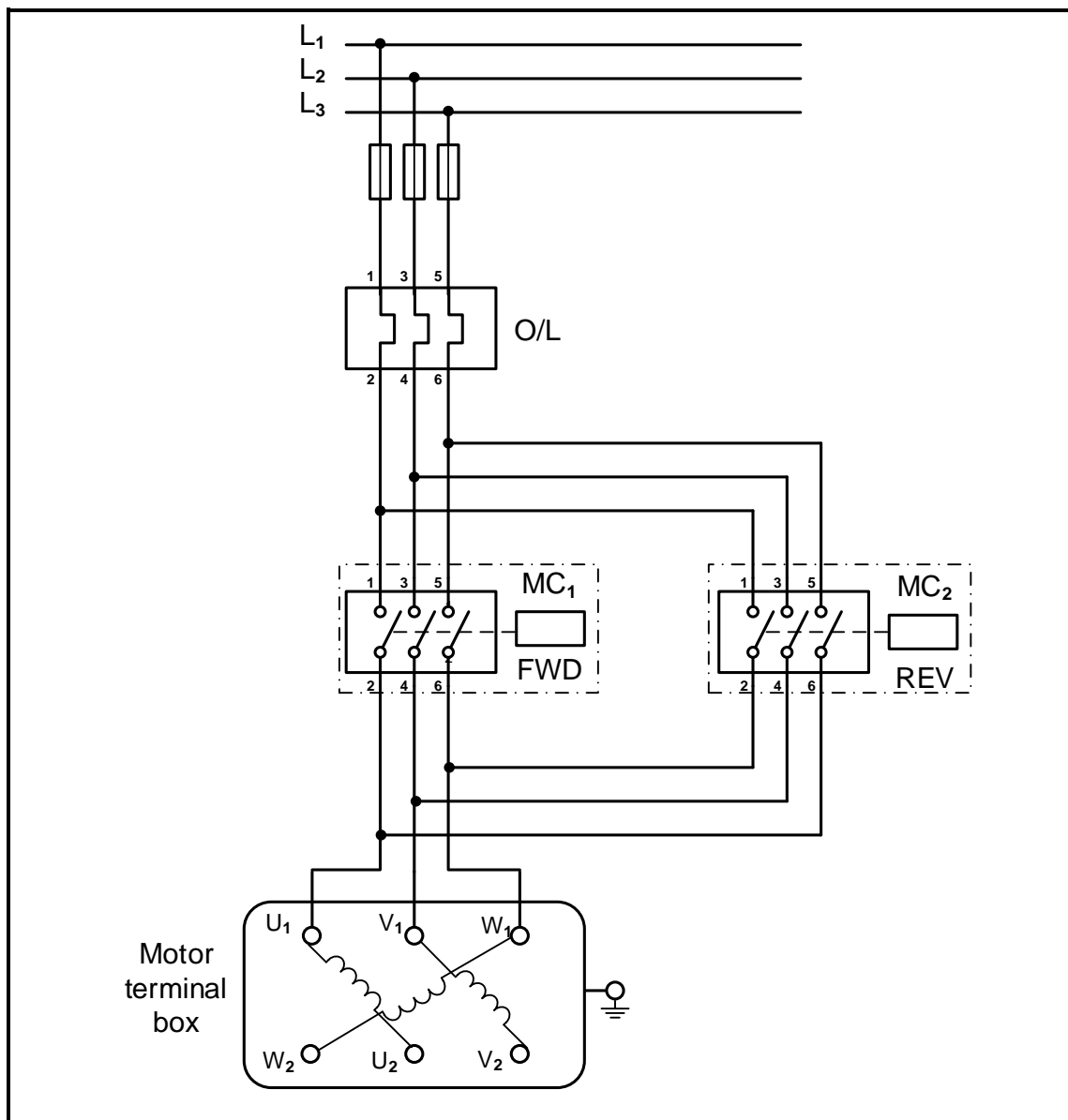
---

---

---

---

(6)  
[25]



**FIGURE 4.3.3(b): FORWARD-REVERSE POWER CIRCUIT**

**4.3.4 Procedure B:**

Consider all safety aspects before and during the wiring process and be cautious until the motor is operating.

- (a) Build and test the power circuit.  
Ask your teacher to check the power circuit before switching the supply on.
- (b) Start the motor in forward and observe.
- (c) Press the stop button.
- (d) Start the motor in reverse and observe.
- (e) Press the stop button.



## FACET SHEET FOR SIMULATION 3

Task description	Mark allocation (tick the appropriate level next to the task indicated)				Allocation of marks
	Not yet competent after reassessment of certain/all parts of the task	Competent after reassessment of certain parts of the task	Competent	Outstanding (Highly competent)	
<b>Wiring the control circuit on the panel</b>	The learner was given opportunities to rewire the circuit on the panel after the teacher intervened in identifying and rectifying more mistakes. <b>(1–2)</b>	The learner was given an opportunity to rewire the control circuit on the panel after the teacher intervened in identifying and rectifying a few mistakes. <b>(3–4)</b>	The learner correctly wired the control circuit on the panel without guidance of the teacher. <b>(5–6)</b>	The learner correctly wired the control circuit on the panel without guidance of the teacher and went beyond expectations and with high proficiency. <b>(7–8)</b>	<u>8</u>
<b>Wiring the power circuit on the panel</b>	The learner was given opportunities to rewire the circuit on the panel after the teacher intervened in identifying and rectifying more mistakes. <b>(1–2)</b>	The learner was given an opportunity to rewire the power circuit on the panel after the teacher intervened in identifying and rectifying few mistakes. <b>(3–4)</b>	The learner correctly wired the power circuit on the panel without guidance of the teacher. <b>(5–6)</b>	The learner correctly wired the power circuit on the panel without guidance of the teacher and went beyond expectations and with high proficiency. <b>(7)</b>	<u>7</u>
<b>Fault finding</b>	The learners were given opportunities to re-identify and correct the fault after more interventions of the teacher. <b>(1–2)</b>	The learners were given an opportunity to re-identify and correct the fault after a few interventions of the teacher. <b>(3–4)</b>	The learners were able to identify/find the fault inserted by the teacher and corrected it. <b>(5)</b>		<u>5</u>
<b>Safety aspects</b>	The learner was timeously reminded to apply safety rules, regulation and correct procedure when using tools and instruments. <b>(1)</b>	The learner was sometimes reminded to apply safety rules, regulation and correct procedure when using tools and instruments. <b>(2)</b>	The learner applied safety rules, regulation and correct procedure when using tools and instruments to wire the circuits without being reminded by the teacher. <b>(3)</b>		<u>3</u>
<b>Attitude/ Behaviour/ Conduct</b>	The learner was reluctant to work, cooperate, take responsibility of their own conduct and follow instructional, regulation and workshop practice even after being cautioned/reprimanded. <b>(0)</b>	The learner was reluctant to a certain degree to work, cooperate, take responsibility of their own conduct and follow instructional, regulation and workshop practice. <b>(1)</b>	The learner demonstrated willingness to work, cooperate, take responsibility of their own conduct and follow instructional, regulation and workshop practice. <b>(2)</b>		<u>2</u>
<b>Rubric Simulation 3 Total</b>					<u>25</u> + <u>25</u> = <u>50</u>

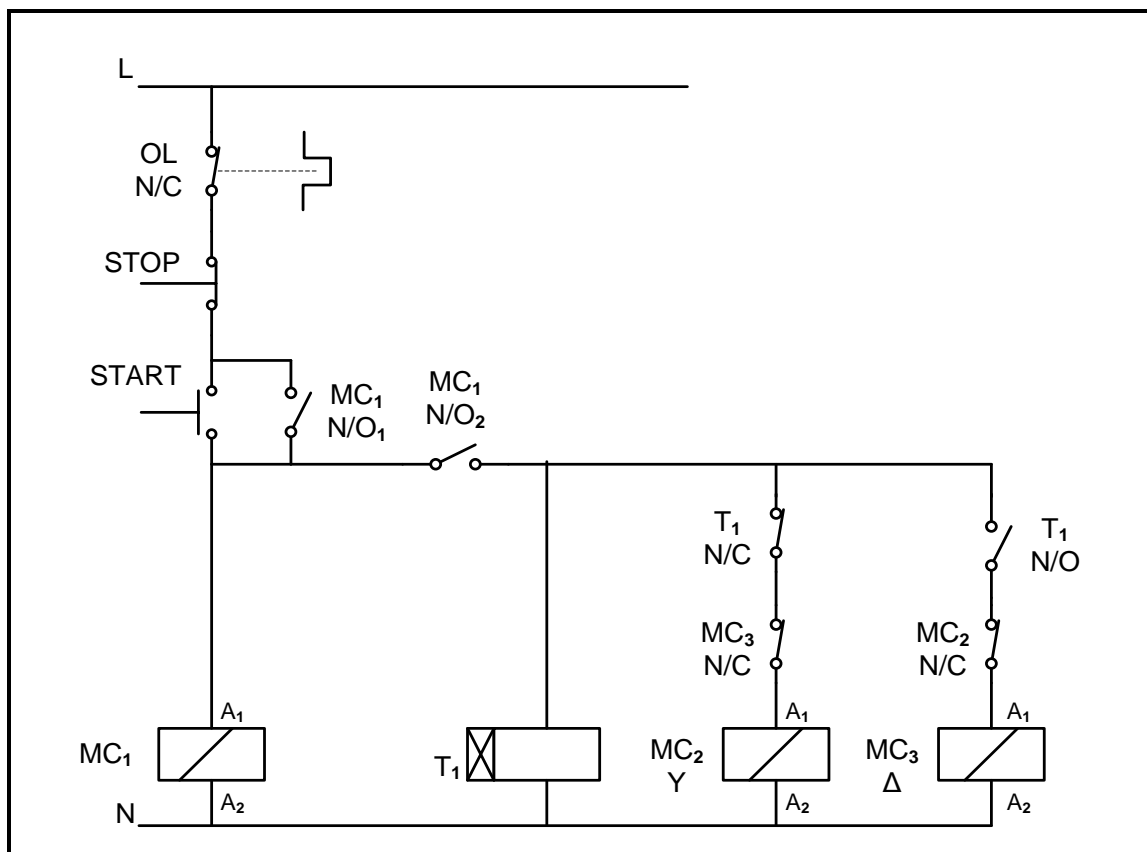
**4.4 Simulation 4: Three-phase automatic star-delta motor starter with overload and timer using PLC**

Name of learner: _____		Mark <b>50</b>
Class: _____	Date completed: _____	
Date Assessed: _____	Assessor Signature: _____	
Date Moderated: _____	Moderator Signature: _____	

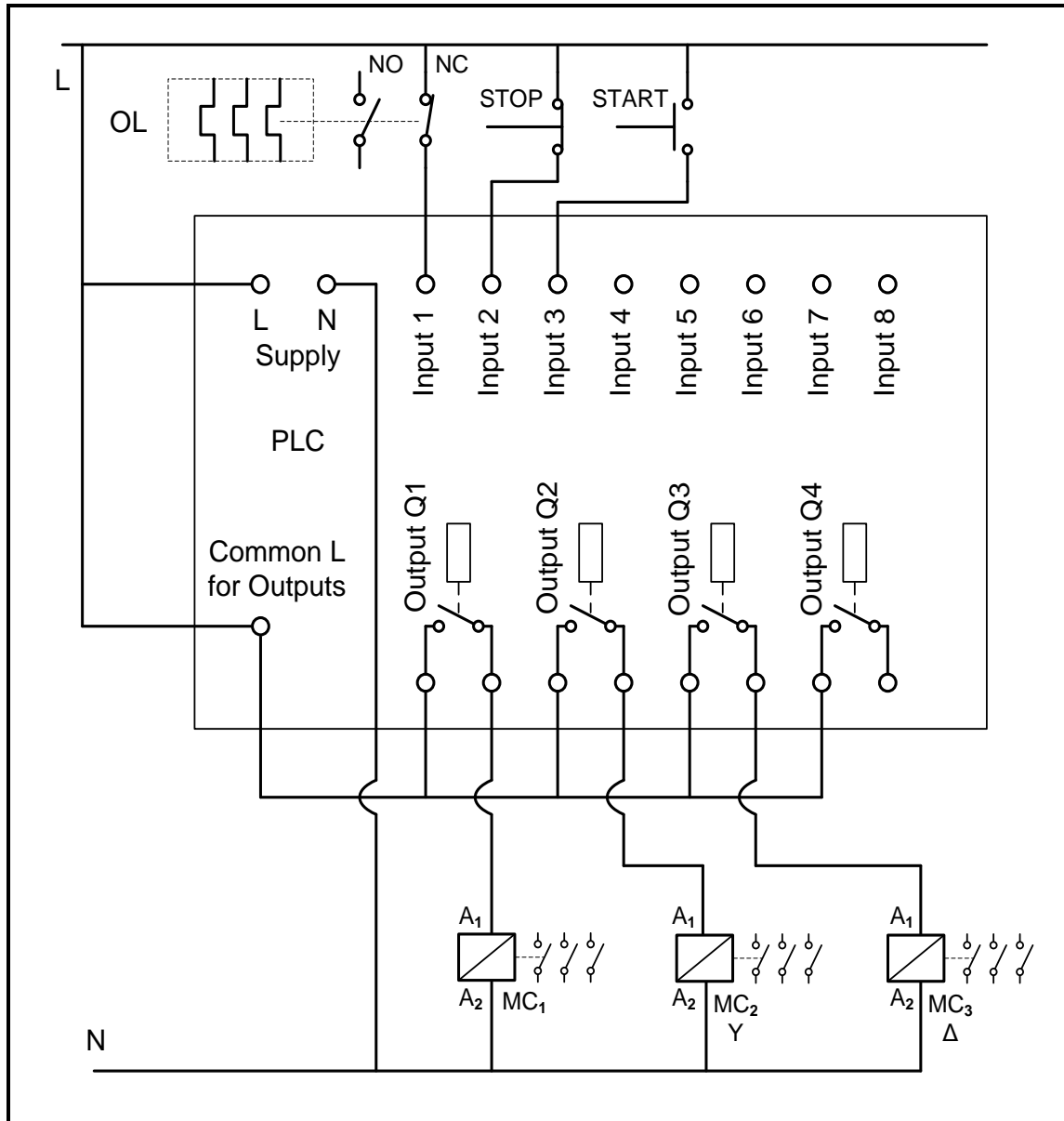
**4.4.1 Purpose:**

- To convert an automatic star-delta motor starter control circuit with overload and timer to a ladder logic diagram
- To operate a three-phase induction motor through the PLC after programming and loading the program to the PLC

**Control circuit**

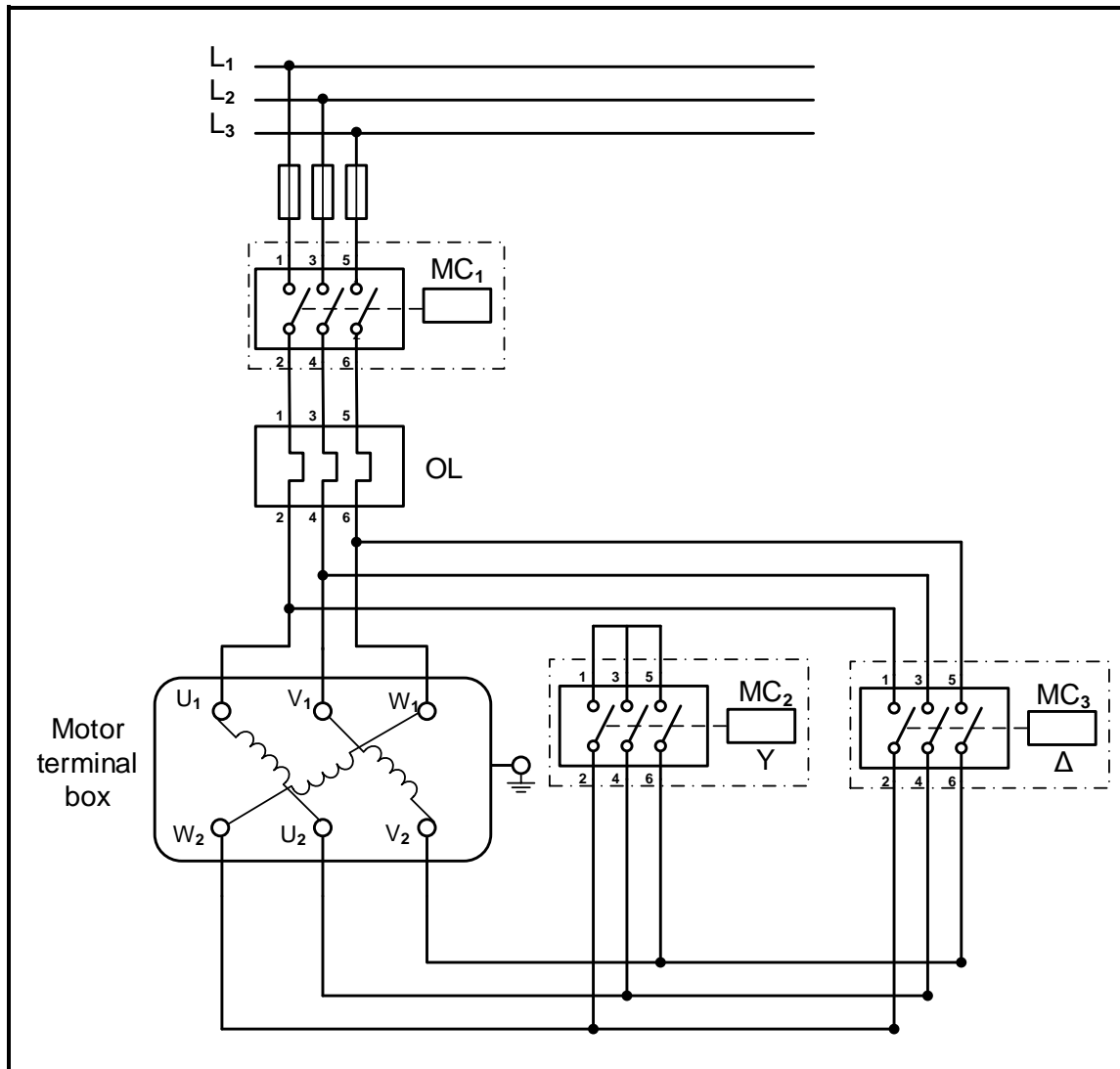


**FIGURE 4.4.1(a): CONTROL CIRCUIT**



**FIGURE 4.4.1(b): PLC UNIT CONNECTED TO THE CONTROL CIRCUIT**

X1/I01 = O/L  
 X2/I02 = Stop button  
 X3/I03 = Start button



**FIGURE 4.4.1(c): POWER CIRCUIT**

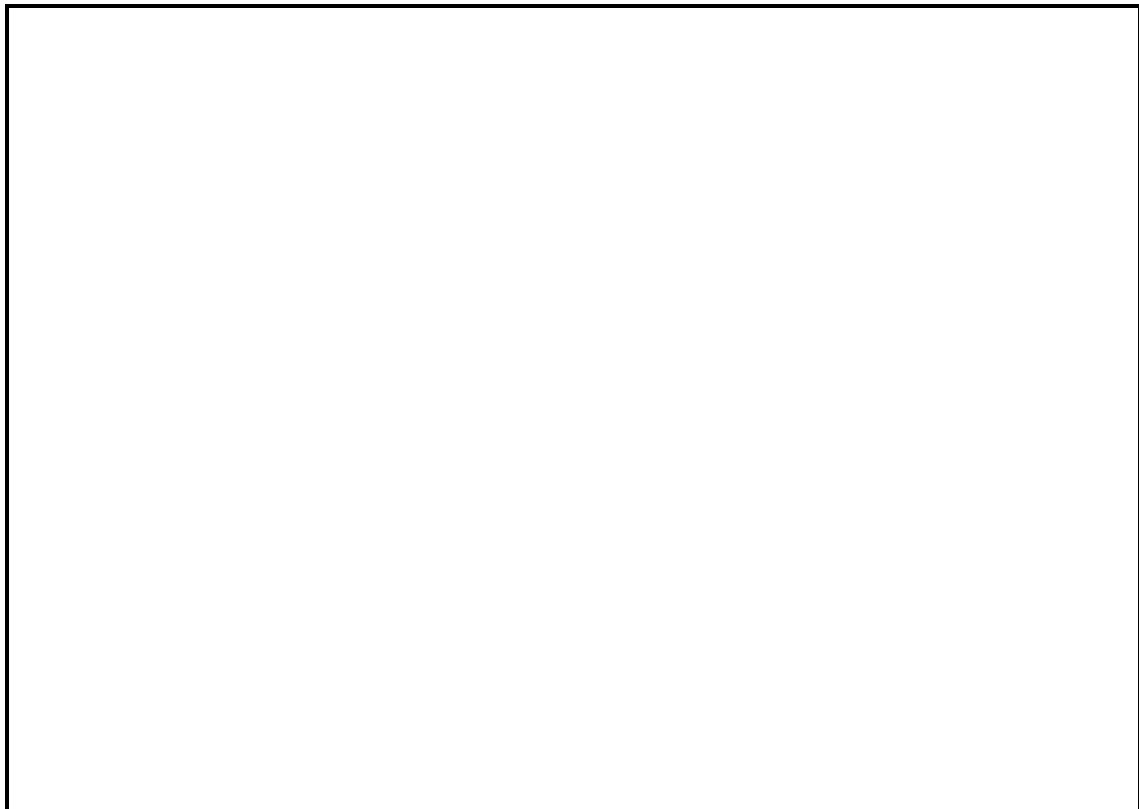
**4.4.2 Required resources:**

TOOLS/INSTRUMENTS	MATERIALS
Multimeter/Clamp meter or continuity tester Computer/Programmer Programming cable Wire stripper Long-nose pliers Screwdriver Side cutters	Connecting wires PLC unit 1 x three-phase induction motor 1 x three-phase overload relay 1 x stop button 1 x start button 3 x three-phase contactors

4.4.3 Procedure

- Convert the relay logic circuit in FIGURE 4.4.1(a) into a ladder logic program.
- Program the ladder logic diagram through a computer.
- Set the time delay to 3 seconds.
- Run the PLC program in the computer and simulate the operation.
- Load the program from a computer to a PLC.
- Ensure the PLC is in run mode.
- Disconnect the programming cable.
- Switch off the supply.
- Connect the PLC to the control of the circuit.
- Only switch ON the supply after your teacher has checked the circuit and confirmed it as correct.
- If the program and control circuit is working, switch OFF the power supply.
- Wire the power circuit to the motor.
- Ask your teacher to check the wiring of the power circuit before switching it ON.
- The teacher will insert faults on the PLC and the learner must identify and correct them.
- Ask your teacher to inspect the circuit and ensure that all faults are corrected.

4.4.4 (a) Take a snapshot (screenshot) of the programmed ladder logic diagram. Save, print and paste it on the blank space below. Ensure that your name and the circuit name appear on the title block of the circuit.



(14)

4.4.5 Name the components of the control circuit that are soft-wired and not hard-wired in the system.


_____	_____
_____	_____
_____	_____

(5)

## FACET SHEET FOR SIMULATION 4

Task description	Mark allocation (tick the appropriate level next to the task indicated)				Allocation of marks
	Not yet competent after reassessment of certain/all parts of the task	Competent after reassessment of certain parts of the task	Competent	Outstanding (Highly competent)	
<b>Loading the program to the PLC</b>	The learner was given opportunities to reload the program after the teacher intervened in identifying and rectifying several mistakes. <b>(1)</b>	The learner was given an opportunity to reload the program after the teacher intervened in identifying and rectifying few mistakes. <b>(2-3)</b>	The learner correctly loaded the program to the PLC without the guidance of the teacher. <b>(4-5)</b>	The learner correctly loaded the program to the PLC without the guidance of the teacher and went beyond expectations and with high proficiency. <b>(6)</b>	<u>6</u>
<b>Wiring the control circuit to the PLC</b>	The learner was given opportunities to rewire the circuit on the panel after the teacher intervened in identifying and rectifying more mistakes. <b>(1-2)</b>	The learner was given an opportunity to rewire the control circuit on the panel after the teacher intervened in identifying and rectifying a few mistakes. <b>(3-4)</b>	The learner correctly wired the control circuit on the panel without the guidance of the teacher. <b>(5-6)</b>	The learner correctly wired the control circuit on the panel without the guidance of the teacher and went beyond expectations and with high proficiency. <b>(7-8)</b>	<u>8</u>
<b>Wiring the power circuit on the panel</b>	The learner was given opportunities to rewire the circuit on the panel after the teacher intervened in identifying and rectifying more mistakes. <b>(1-2)</b>	The learner was given an opportunity to rewire the power circuit on the panel after the teacher intervened in identifying and rectifying a few mistakes. <b>(3-4)</b>	The learner correctly wired the power circuit on the panel without the guidance of the teacher. <b>(5-6)</b>	The learner correctly wired the power circuit on the panel without the guidance of the teacher and went beyond expectations and with high proficiency. <b>(7)</b>	<u>7</u>
<b>Fault finding</b>	The learner was given opportunities to re-identify and correct the fault after more interventions of the teacher. <b>(1-2)</b>	The learner was given an opportunity to re-identify and correct the fault after few interventions of the teacher. <b>(3-4)</b>	The learner was able to identify/find the fault inserted by the teacher and corrected it. <b>(5)</b>		<u>5</u>
<b>Safety aspects</b>	The learner was timeously reminded to apply safety rules, regulation and correct procedure when using tools and instruments. <b>(1)</b>	The learner was sometimes reminded to apply safety rules, regulation and correct procedure when using tools and instruments. <b>(2)</b>	The learner applied safety rules, regulation and correct procedure when using tools and instruments to wire the circuits without being reminded by the teacher. <b>(3)</b>		<u>3</u>
<b>Attitude/ Behaviour/ Conduct</b>	The learner was reluctant to work, cooperate, take responsibility of their own conduct and follow instructional, regulation and workshop practice even after being cautioned/ reprimanded. <b>(0)</b>	The learner was reluctant to a certain degree to work, cooperate, take responsibility of their own conduct and follow instructional, regulation and workshop practice. <b>(1)</b>	The learner demonstrated willingness to work, cooperate, take responsibility of their own conduct and follow instructional, regulation and workshop practice. <b>(2)</b>		<u>2</u>
				<b>Rubric Simulation 4 Total</b>	<u>31</u> + <u>19</u> = <u>50</u>

**5. SECTION B: DESIGN AND MAKE**

<b>Design and Make Project</b>		
Time: January to August 2023		
Learner Name:	_____	
School:	_____	
Class:	_____	
Title/Type of Project: _____		

**INSTRUCTIONS**

- This section is **COMPULSORY** for all learners.
- The teacher will choose a circuit for the project.
- Any project constructed must include at least (but is not limited to):
  - Seven components
  - A variety of components (both active and passive)
  - PCB making in some form
  - Soldering
  - An enclosure with a switch and protection
- The checklist below must be used to ensure that all the required tasks for the PAT have been completed.

**PAT CHECKLIST**

The learner **MUST** fill in this checklist **BEFORE** marking of the section takes place.

NO.	DESCRIPTION	TICK (☑)	
		NO	YES
<b>Design and Make: Part 1</b>			
1.	Circuit diagram drawn	<input type="checkbox"/>	<input type="checkbox"/>
2.	Circuit description filled in	<input type="checkbox"/>	<input type="checkbox"/>
3.	Component list completed	<input type="checkbox"/>	<input type="checkbox"/>
4.	Tools list for circuitry populated	<input type="checkbox"/>	<input type="checkbox"/>
5.	Measuring instrument list filled in	<input type="checkbox"/>	<input type="checkbox"/>
<b>Design and Make: Part 2</b>			
1.	Enclosure design completed and included in the file	<input type="checkbox"/>	<input type="checkbox"/>
2.	Unique name written down and on the enclosure	<input type="checkbox"/>	<input type="checkbox"/>
3.	Logo designed and on the enclosure	<input type="checkbox"/>	<input type="checkbox"/>
<b>Miscellaneous</b>			
1.	Enclosure included in the project	<input type="checkbox"/>	<input type="checkbox"/>
2.	Enclosure prepared and drilled according to the design	<input type="checkbox"/>	<input type="checkbox"/>
3.	Enclosure finished off and completed with name and logo	<input type="checkbox"/>	<input type="checkbox"/>
4.	PCB securely mounted in the enclosure using acceptable techniques	<input type="checkbox"/>	<input type="checkbox"/>
5.	Circuit inside the enclosure accessible	<input type="checkbox"/>	<input type="checkbox"/>
6.	Internal wiring neat and ready for inspection	<input type="checkbox"/>	<input type="checkbox"/>
7.	File and project completed and ready for moderation at the workshop/room	<input type="checkbox"/>	<input type="checkbox"/>







## 5.2 Assessment of the Design and Make Phase: Part 1

NO.	FACET DESCRIPTION	Mark	Achieved mark
<b>Circuit Diagram</b>			
1.	The circuit diagram was drawn using <ul style="list-style-type: none"> <li>EGD equipment (4)</li> <li>CAD/Any electronic design software (6)</li> </ul>	6	
2.	The circuit diagram was drawn using correct symbols.	3	
3.	The circuit diagram has all labels, e.g. R1, C1, Tr1	3	
4.	The circuit diagram has all component values, e.g. 100 $\Omega$ , 220 $\mu\text{F}$	4	
5.	The circuit diagram has a name/title.	2	
6.	The circuit diagram has a frame and title block.	2	
<b>Circuit Diagram Subtotal:</b>		<b>20</b>	
<b>Component List</b>			
7.	Labels correlate with circuit diagram.	2	
8.	Description and values correlate with circuit diagram.	2	
9.	Quantities are correct.	1	
<b>Component List Subtotal:</b>		<b>5</b>	
<b>Description of Operation</b>			
10.	Basic function of the circuit is described correctly. The purpose/role/function of each component is described.	11	
11.	All subcircuits in the circuit diagram and component list are included in the description.	4	
12.	Purposes of subcircuits in the circuit diagram are described correctly.	5	
13.	Learner used own interpretation and did not copy from another source verbatim.	3	
14.	Sources are acknowledged.	2	
<b>Description of Operation Subtotal:</b>		<b>25</b>	
<b>Tools/Instrument List</b>			
15.	The tools/instrument list has been completed.	4	
16.	The tools/instruments listed all have a purpose for being used.	1	
<b>Tools/Instrument List Subtotal:</b>		<b>5</b>	

NO.	FACET DESCRIPTION	Mark	Achieved mark
<b>Circuit Board Manufacturing</b>			
17.	Transfer of the PCB design onto the blank board is correct. Not over-exposed or under-exposed.	5	
18.	Circuit board is etched neatly according to the PCB design.	10	
19.	The learner's name is etched onto the circuit design.	4	
20.	All burrs are removed.	2	
21.	Axial and radial components are placed neatly and flush with the board.	5	
22.	Component orientation are aligned between similar components (e.g. the gold band of all resistors are placed on the same side).	2	
23.	Soldered components – leads are cut off, flush and neat on the solder side.	5	
24.	More than 60% of the solder joints are shiny (not dry joints).	5	
25.	Wire insulation is stripped to the correct length (no extra copper showing).	3	
26.	Wiring is long enough to allow for dismantling and inspection.	2	
27.	Wiring is wrapped neatly.	2	
28.	A power switch is included and fitted to the enclosure.	2	
29.	A fuse/protection is included and fitted correctly where applicable.	2	
30.	Wiring entering/exiting the enclosure is provided with a grommet/applicable fittings/sockets where applicable.	2	
31.	Batteries/Transformer is mounted using a battery housing/mounting bracket and battery clip (NO double-sided tape).	2	
32.	The project has a pilot light/LED installed in the enclosure showing when the circuit is operational. LED is mounted with a grommet or applicable fitting. (Switch is on – must go out when fuse is blown.)	2	
33.	The project is fully operational and commissioned/installed in the enclosure.	10	
	<b>Circuit Board Manufacturing Subtotal:</b>	<b>65</b>	
	<b>Circuit Diagram Subtotal:</b>	<b>20</b>	
	<b>Component List Subtotal:</b>	<b>5</b>	
	<b>Description of Operation Subtotal:</b>	<b>25</b>	
	<b>Tools/Instrument List Subtotal:</b>	<b>5</b>	
	<b>Circuit Board Manufacturing Subtotal:</b>	<b>65</b>	

<b>TOTAL</b> <b>(PART 1 = 120 marks)</b>
---

<b>NOTE:</b> In projects where facets are not applicable, the projects should be marked and the totals adjusted accordingly.
--

### 5.3 Design and Make: Part 2

#### 5.3.1 Enclosure design

- Design an enclosure for your project.
- NO FREEHAND DRAWINGS.
- Draw using EGD equipment **OR** use a CAD program.
- Draw in first-angle orthographic projection.
- Add your drawings after this page.
- Use colour to enhance your drawing.

#### 5.3.2 Manufacture the enclosure neatly according to your design.

You may use pre-cut panels from metal, wood and/or Perspex/Plexiglas.

You must, however, construct/assemble these parts.

Injection moulded enclosures are also acceptable. It is important that your enclosure and the placement of the parts align with your design.

#### 5.3.3 Choose a name for your device.

Write down the name of the device below.

---

#### 5.3.4 Design a unique logo for your device, as well as a specification plate and attach it after this page.

**5.4 Assessment of the Design and Make Phase: Part 2**

<b>NO.</b>	<b>FACET DESCRIPTION</b>	<b>Mark</b>	<b>Achieved mark</b>
<b>Enclosure Design</b>			
1.	Enclosure design is included in first-angle orthographic projection.	2	
2.	Drawn design includes a title box and page border.	1	
3.	Isometric drawing included additionally.	2	
4.	Dimensions are included.	2	
5.	The name of the device is written in the PAT document.	1	
6.	The logo design and specification plate design is in the PAT document.	2	
<b>Enclosure Design Subtotal:</b>		<b>10</b>	
<b>Enclosure Manufacturing</b>			
7.	Enclosure matches the design. Dimensions and placement correlate.	1	
8.	Name of the device is attached on the enclosure.	1	
9.	The logo design is attached on the enclosure.	2	
10.	The logo design on the enclosure is durable and not merely a paper pasted on the enclosure (painted/used decoupage/screen printed/sublimation printed).	2	
11.	The enclosure is manufactured from scratch/pre-cut parts.  Does NOT include: cardboard, paper, margarine container Does include: sheet metal, Perspex, Plexiglas, wood, glass and other raw materials, injection-moulded plastic boxes	5	
12.	Holes/Cut-outs in the enclosure are made with the appropriate tools.	3	
13.	Specification plate with the learner's name, operating voltage, fuse rating and additional information on the project.	2	
14.	Enclosure is neatly prepared, painted and aesthetically pleasing.	2	
15.	The circuit board is mounted using appropriate methods inside the enclosure. (NO double-sided tape, Prestik, glue, chewing gum, masking tape, etc.)	2	
<b>Enclosure Manufacturing Subtotal:</b>		<b>20</b>	

<b>TOTAL</b> <b>(PART 2 = 30 marks)</b>
--

**6. PROJECTS****6.1 Practical Project 6.1: Plug Tester**

The plug tester is a handy device you can build yourself and can provide you with years of good service.

When installing and commissioning or when repairing plug circuits at home, it is advisable that you test your circuit before you switch it on. This is not the end, however, even after you have switched on, there are tests that are indispensable.

Contrary to popular belief, it DOES make a difference when connecting alternating current supply to a plug and/or light circuit. The LIVE is the current carrier and is at a higher potential than earth and neutral. It is imperative that the switch that controls any AC circuit is connected to the LIVE line. Follow this LED sequence when connecting the plug of the DIY plug tester to the plug being tested.

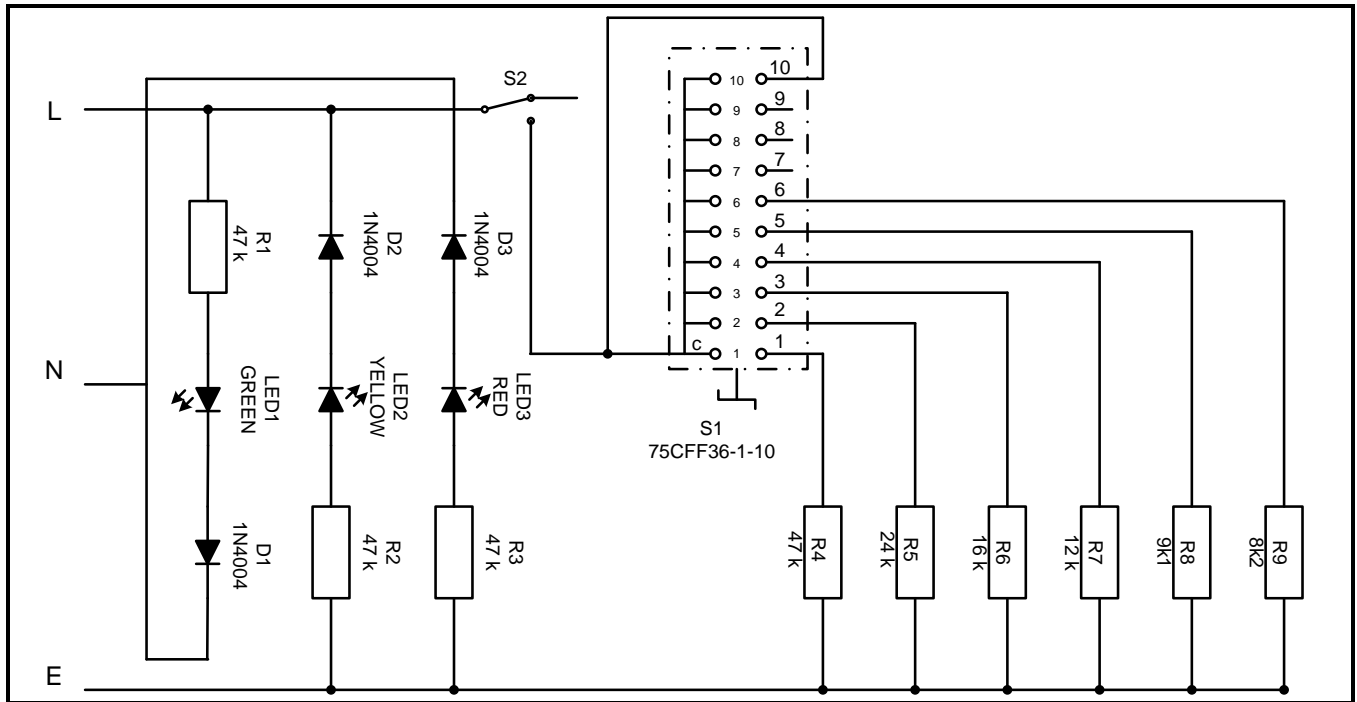
In all AC installations, there is, or should be, an earth leakage protection relay. These devices are typically calibrated to trip and disconnect the supply in case of current leaking to ground through a connection it is not intended for.

It is advised that the earth leakage be tested once every six months to ensure that it has not been damaged by lightning or power surges, which is not uncommon in a load-shedding scenario.

By introducing a leakage current between LIVE and EARTH, the earth leakage can be checked. The leakage current values are determined using Ohm's law.

The assumption is made that your supply voltage is 240 volts AC. To determine the leakage current, just complete the table below:  $I_{Leakage} = VAC_{Mains} / R_{Leakage\ Resistor}$

RESISTOR	LEAKAGE CURRENT BEING TESTED
47k	5,1 mA
24k	10 mA
16k	15 mA
12k	20 mA
9k1	26,37 mA
8k2	29,26 mA



**PLUG TESTER CIRCUIT**

COMPONENT LIST		
PART	VALUE	DESCRIPTION
D1	1N4004/7	Diode
D2	1N4004/7	Diode
D3	1N4004/7	Diode
LED1	GREEN	LED5MM
LED2	YELLOW	LED5MM
LED3	RED	LED5MM
R1	47k 2W	Resistor
R2	47k 2W	Resistor
R3	47k 2W	Resistor
R4	47k 2W	Resistor
R5	24k	Resistor
R6	16k	Resistor
R7	12k	Resistor
R8	9k1	Resistor
R9	8k2	Resistor
S1	75CF36-1-10	Single-deck rotary switches
S2	Test button	N/O push switch
4		PCB mount with M3 screw and nut
1		Solder wire
1 m		Cab tyre
1		3-pin plug

## 6.2 Practical Project 6.2: Automatic Battery Charger with Battery-voltage Bar-graph Display

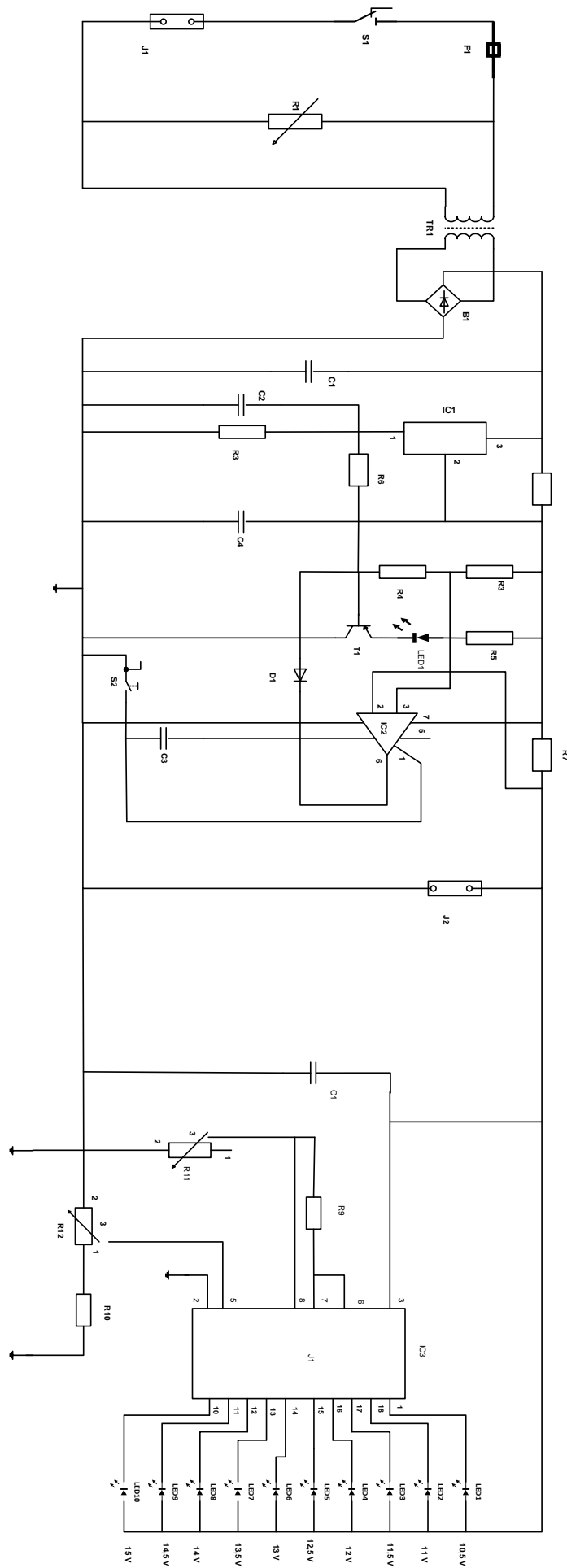
This automatic battery charger project is based on the National Semiconductor LM350 3 A adjustable regulator. It is designed to charge 12 V lead-acid batteries. When the switch SW1 is pushed, the output of the charger will go up to 14,5 V. The initial charging current is limited to 2 A. As the charge of the battery continues to rise, the charging current decreases to 150 mA and the output voltage is reduced to 12,5 V. At this stage the charging is terminated and the light-emitting diode lights up to indicate that the charging process has been completed.

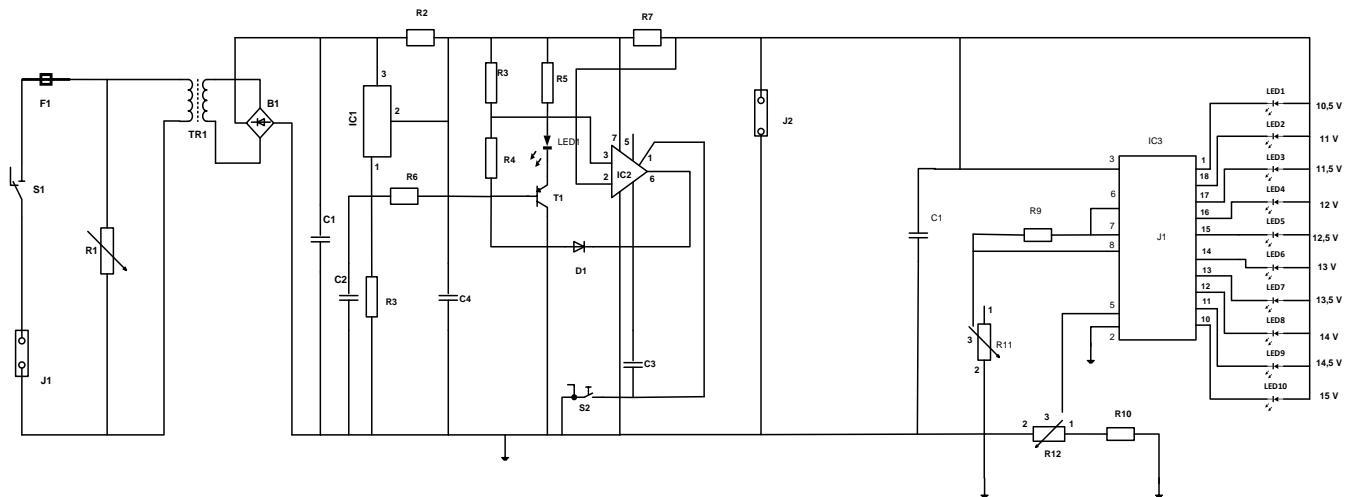
The schematic diagram below shows how the various components are connected. The first part of the diagram shows how the DC power supply to LM350 is achieved. The combined use of varistor V1 and fuse F1 is to protect the circuit from overcurrent and power surge of the mains supply.

Transformer T1 is used to step down the input voltage from the mains to 16 V AC. Diode bridge DB and electrolytic capacitor E1 are used to rectify the AC voltage to DC voltage. This rectified DC power supply is fed into the input of the second circuit where LM350 and operational amplifier LM301A are used to control the charging current and voltage of the lead-acid battery. Once the charge is full, transistor Q1 will turn ON and LED L1 will be ON to indicate that the charging has been completed. A heat sink is attached to LM350 to transfer the heat generated from the regulator to the ambient.

This bar-graph LED-battery-level-indicator project is based on the LM3914 monolithic IC of the National Semiconductor that senses the voltage levels of the battery and drives the 10 light-emitting diodes based on the voltage level that is detected. It provides a linear analogue display output and has a pin that can be configured to display the output in moving dot or bar graph. The current driving the LEDs is regulated and programmable, hence limiting resistors are not required. The schematic diagram below shows how the various components are connected. Switch S1 is used to change the display type from moving dot to bar graph type. When S1 is ON, the display type is bar graph, but when it is OFF, the display changes to the moving dot type. R3 is used to set the lower limit of the display. Use a variable DC power supply and set the VBAT to 10,5 V. Adjust VR1 until the LED L1 turns ON. Next, set the VBAT to 15 V; adjust VR2 until all the LEDs turn ON (when S1 is ON).







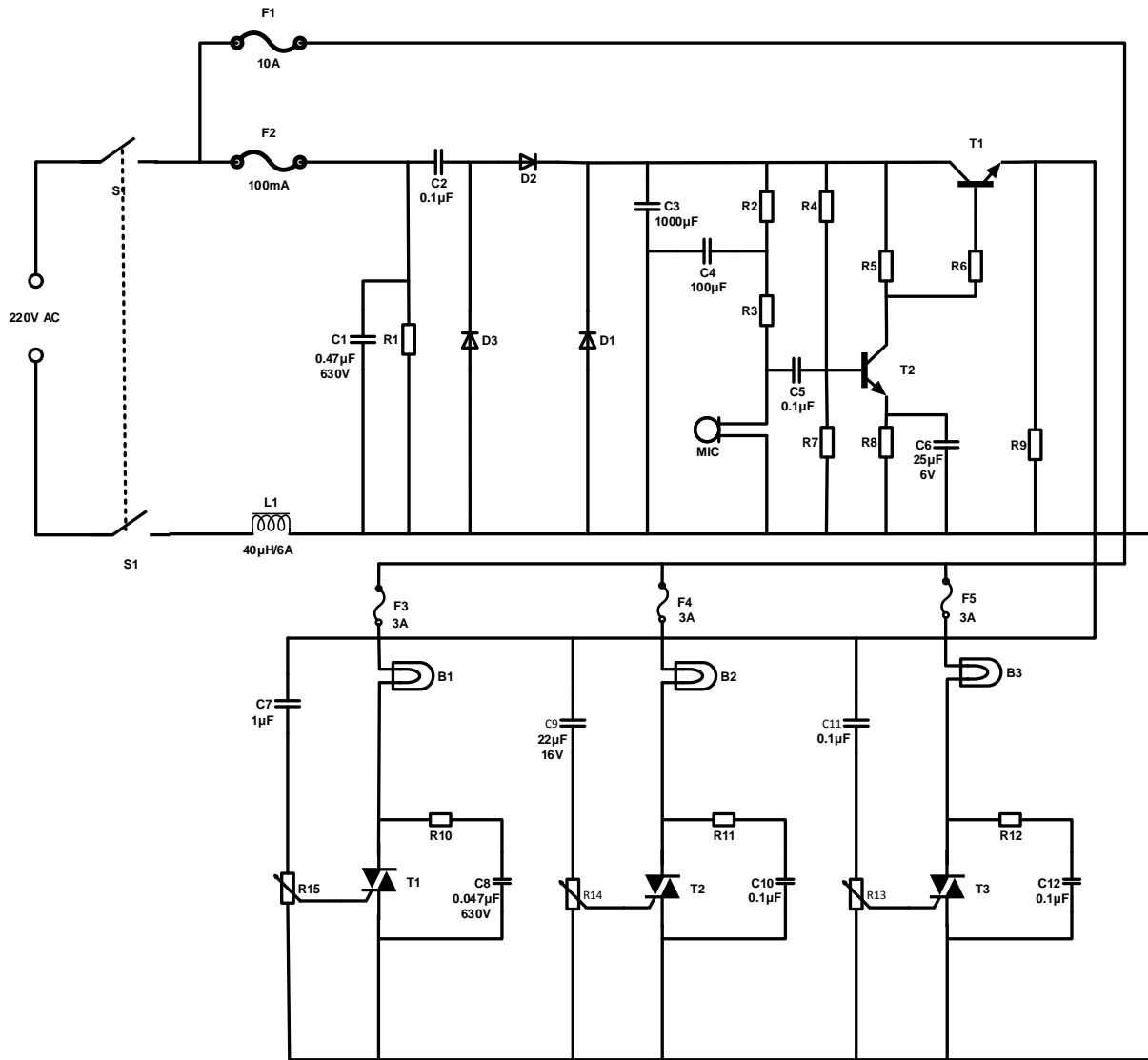
COMPONENT LIST	
R1 varistor 14 mm	B1 5 A diode bridge
R2 500 ohm, 5 W	C1 6 800 uF 35 V electrolytic capacitor
R3, R6 15 K ¼ W	C2 0,1 uF ceramic 104
R4 230 ohm ¼ W	C3 1 nF ceramic 102
R5 1k	C4 1 uF electrolytic 25 volt
R7 0,2 ohm, 5 W	D1 1N 4148 diode
R8 3k3 ¼ W	IC1 LM350 16 volt positive voltage regulator
J1 mains supply	IC2 LM301 H operational amplifier
J2 12 V connector for battery/battery clamps	S1 On/Off switch for mains voltage
F1 500 mA fast-blow fuse	S2 push-to-make switch
TR1 240 V–16 V transformer 3 A (+/-50 VA)	LED 1 red LED 5 mm
R9 1k2 ¼ W 5%	IC 3 LM3914 N bar-graph display driver
R10 4k7 ¼ W 5%	C1 10 µF 25 volt electrolytic capacitor
R11 5k potentiometer	S1 SPST toggle switch
LED 1–10 LED – red, amber, green	
R12 5k potentiometer	

### 6.3 Practical Project 6.3: Sound-to-light Controller

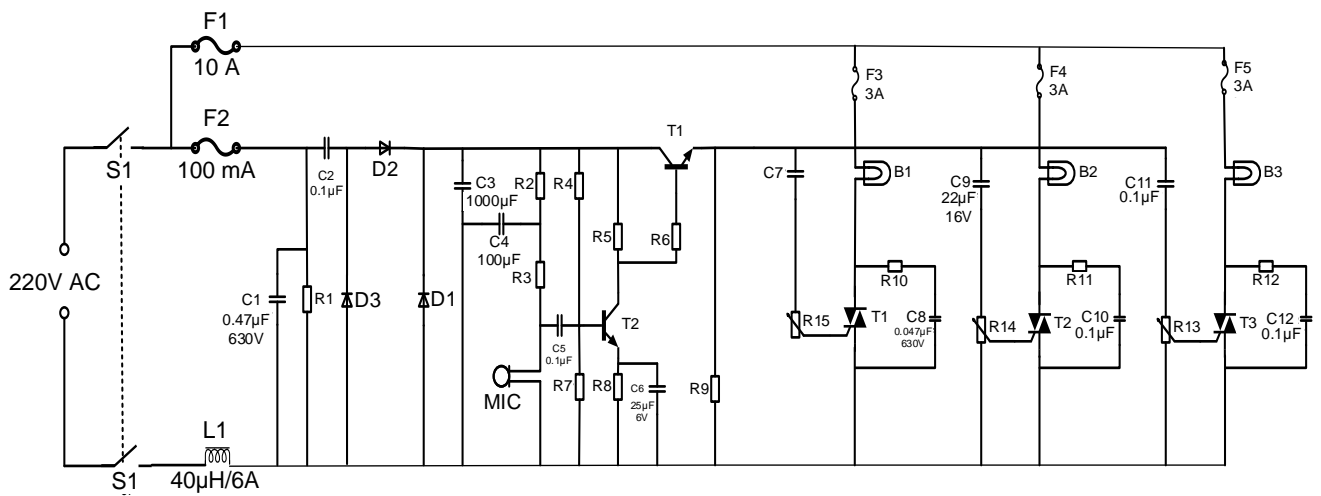
This sound-controlled light circuit design is used to control the brightness of the lights attached to it in sync with the sound that is being captured by its microphone. This electronic circuit design is very common in disco houses, bars, parties, etc.

Usually, sound-controlled lights are just connected in parallel with the loudspeakers. This configuration has two disadvantages: a very power amplifier can destroy the lights, or worse, a defective light can destroy the amp. This problem is avoided by the circuit by not connecting directly to the amp. Instead, it picks up the sound with its microphone.

The power-supply part is on the left of the electret microphone amplifier and the light controller part is on the right. The capacitors C2 and C3 are the capacitive voltage divider and reduces the power supply level. Diodes D1 and D2 rectify the positive swing of the AC voltage. The network composed of L1 and C1 protects the power line from voltage surges. In this circuit design, an electret microphone is being used. Take note that there are two types of electret mics. The first type has three pins for power, ground and output. The second type has only two pins. The second type is used for this circuit.



**SOUND-TO-LIGHT CONTROLLER**



**ALTERNATIVE CIRCUIT**

COMPONENT LIST	
R1 = 560 k $\Omega$ /1 W	C8, C12 = 0,047 $\mu$ F/630V
R2, R3 = 15 k $\Omega$ 1/4 W	C9 = 22 $\mu$ F 16 V
R4 = 33 k $\Omega$ /1/4 W	C11 = 47 $\mu$ F 16 V
R5, R6, R9 = 1 k $\Omega$ 1/4 W	D1, D2 = 1N4004
R7 = 18 k $\Omega$ 1/4 W	D3 = 1N4742 12v/1 W
R8 = 560 $\Omega$ 1/4 W	F1 10 A fuse 220 V
R10, R11, R12 = 100 k $\Omega$	F2 100 mA fuse 220 V
P1, P2, P3 = 5 k $\Omega$ Pot	F3, F4, F5 220 V 3 A fuse
C1 = 0,47 $\mu$ F 630 V	L1 = 40 $\mu$ H 6 A
C2, C5 0,1 $\mu$ F/220 V	B1, B2, B3 = 60 W incandescent lamp
C3 1 000 $\mu$ F/16 V	Mic = low-impedance microphone
C4 100 $\mu$ F/16 V	
C6 25 $\mu$ F/6 V	
C7 1 $\mu$ F 16 V	

**WARNING:**

Some parts in the circuit board are subject to lethal potential because the device is connected to 230 V AC. When plugging in the project, place it in a plastic or wooden box to prevent the circuit from shocking you. Avoid connecting this circuit to other appliances (e.g. to the output of an amplifier by means of a cable) because of the absence of a mains transformer. Use only the microphone in the main case to pick up the sound.

**NOTE:** All circuits MUST include an On/Off switch with an ON indicator and fuse protection.

**7. CONCLUSION**

On completion of the practical assessment task, learners should be able to demonstrate their understanding of the industry, enhance their knowledge, skills, values and reasoning abilities as well as establish connections to life outside the classroom and address real-world challenges. The PAT furthermore develops learners' life skills and provides opportunities for learners to engage in their own learning.