

SA EXAM PAPERS This Paper was downloaded from SAEXAMPAPERS
SA's Leading Past Year

Exam Paper Portal



You have Downloaded, yet Another Great Resource to assist you with your Studies 😊

Thank You for Supporting SA Exam Papers

Your Leading Past Year Exam Paper Resource Portal

Visit us @ www.saexampapers.co.za



**SA EXAM
PAPERS**

SA EXAM PAPERS

Proudly South African



basic education

Department:
Basic Education
REPUBLIC OF SOUTH AFRICA

**NATIONAL
SENIOR CERTIFICATE**

GRADE 12

ELECTRICAL TECHNOLOGY: DIGITAL ELECTRONICS

NOVEMBER 2025

MARKING GUIDELINES

MARKS: 200

These marking guidelines consist of 17 pages.



INSTRUCTIONS TO THE MARKERS

1. All questions with multiple answers imply that any relevant, acceptable answer should be considered.
2. Calculations:
 - 2.1 All calculations must show the formulae.
 - 2.2 Substitution of values must be done correctly.
 - 2.3 All answers **MUST** contain the correct unit to be considered.
 - 2.4 Alternative methods must be considered, provided that the correct answer is obtained.
 - 2.5 Where an incorrect answer could be carried over to the next step, the first answer will be deemed incorrect. However, should the incorrect answer be carried over correctly, the marker has to re-calculate the values, using the incorrect answer from the first calculation. If correctly used, the candidate should receive the full marks for subsequent calculations.
3. This memorandum is only a guide with model answers. Alternative interpretations must be considered and marked on merit. However, this principle should be applied consistently throughout the marking session at ALL marking centres.



QUESTION 1: MULTIPLE-CHOICE QUESTIONS

- | | | |
|------|-------|-------------|
| 1.1 | B ✓ | (1) |
| 1.2 | B ✓ | (1) |
| 1.3 | B ✓ | (1) |
| 1.4 | C ✓ | (1) |
| 1.5 | D ✓ | (1) |
| 1.6 | C ✓ | (1) |
| 1.7 | C/D ✓ | (1) |
| 1.8 | B ✓ | (1) |
| 1.9 | A ✓ | (1) |
| 1.10 | A ✓ | (1) |
| 1.11 | D ✓ | (1) |
| 1.12 | D ✓ | (1) |
| 1.13 | D ✓ | (1) |
| 1.14 | C ✓ | (1) |
| 1.15 | D ✓ | (1) |
| | | [15] |



QUESTION 2: OCCUPATIONAL HEALTH AND SAFETY

- 2.1 Any article or combination of articles assembled, arranged or connected which is used for converting any form of energy ✓ to performing work. ✓

OR

Any article or combination of articles which is used or intended to be used, whether incidental there to or not, for developing, receiving, storing, containing, confining, transforming, transmitting, transferring or controlling any form of energy. (2)

- 2.2 Do not touch the person with bare hands. ✓
Use a non-conductive material to free the person from the live connection. ✓
Switch off the supply (2)

- 2.3 The use/misuse of power tools ✓ without adhering to safety protocols.
The etching of PC boards ✓ without following safety procedures.
Working on a live system without following safety protocol. (2)

- 2.4 A *critical incident* is an event that causes grave or severe physical injury to a person that requires external emergency services. ✓
An *accident* is an event that may cause injury or damage to property (severe or not severe). ✓ (2)

- 2.5 It is an unsafe act, because it creates an unsafe condition ✓ (no guard on the machine) that is conducted by a person in a manner that may threaten the safety ✓ of people in the workshop. (2)

[10]



QUESTION 3: SWITCHING CIRCUITS

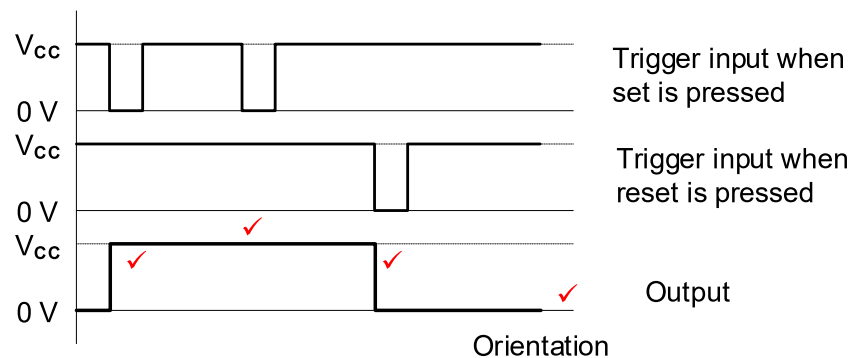
3.1 3.1.1 Comparator ✓ (1)

3.1.2 Reference voltage is a fixed voltage ✓ on one of the inputs of an op amp against which the input on the other terminal of an op amp is being compared. ✓ (2)

3.2 3.2.1 R_1 and R_2 act as pull-up resistors ✓ keeping the voltage at pin 2 and 4 high. ✓ (2)

3.2.2 Without resistors R_1 and R_2 the input at pin 2 and 4 will be fluctuating ✓ between +V and 0 V. ✓
Without R_1 and R_2 , and if you instead directly connect pins 2 & 4 to +V, the pins will be held at +V and the push-buttons will either do nothing (if removed) or create a short when pressed (if still present). This removes the intended set/reset function. (2)

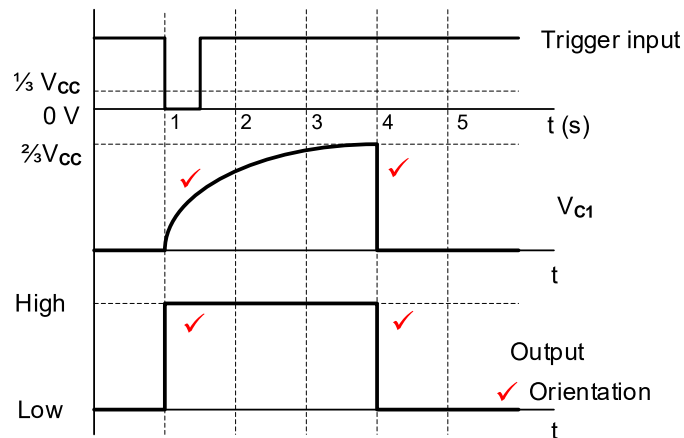
3.2.3



NOTE: 1 mark for the first trigger point
1 mark for the output not triggering at the second set pulse
1 mark for the output triggering at the reset pulse
1 mark for the correct orientation (4)

3.3 3.3.1 Debouncing of switches in digital counters. ✓
Timing circuits. ✓ (2)

3.3.2

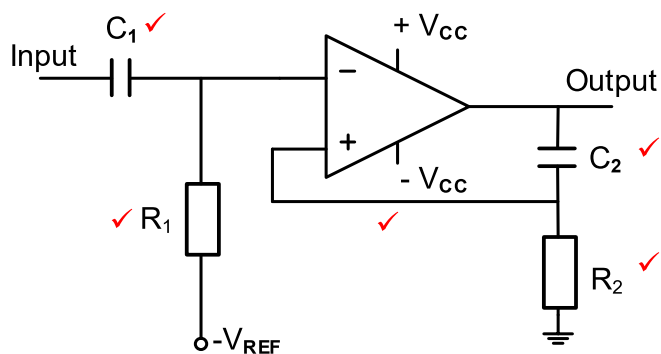


(5)

3.3.3 The threshold voltage is $\frac{2}{3}$ of V_{cc} ✓ which equates to 6 V. ✓

(2)

3.3.4



(5)

3.4. 3.4.1 Positive feedback. ✓
Regenerative feedback.

(1)

3.4.2 Trigger voltage refers to the feedback voltage on the non-inverting terminal ✓ created by the voltage dividers R_1 & R_2 ✓ against which the input voltage on the inverting input is compared.

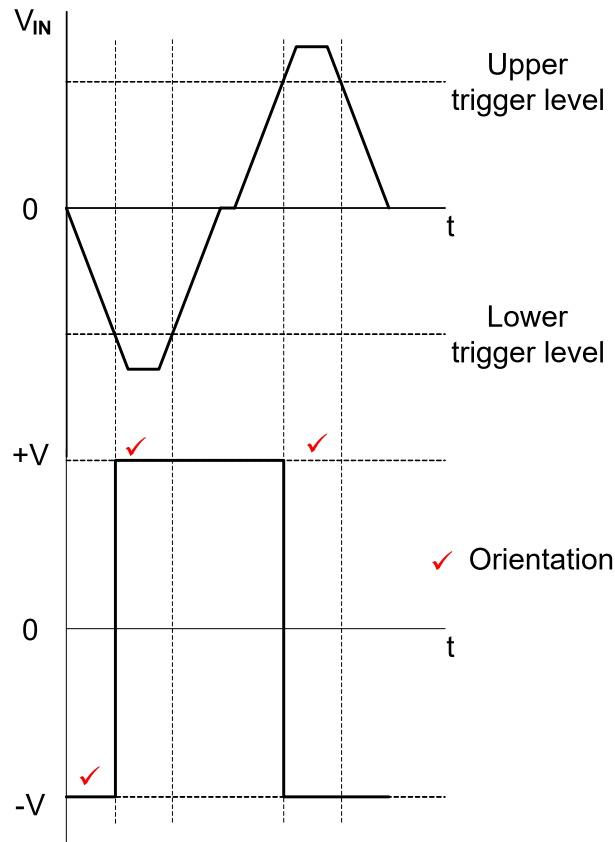
(2)

3.4.3 +1,5 V ✓
-1,5 V ✓

(2)



3.4.4



NOTE:

Because initial output state is not given, start at both +V or -V are accepted

(4)

3.5 3.5.1 Various inputs can be received from different microphones ✓ to produce one combined output signal. ✓

(2)

3.5.2

$$V_{OUT} = - \left(V_1 \times \frac{R_F}{R_1} + V_2 \times \frac{R_F}{R_2} + V_3 \times \frac{R_F}{R_3} \right) \quad \checkmark$$

$$= - \left(0,4 \times \frac{100\,000}{10\,000} + 0,4 \times \frac{100\,000}{10\,000} + 0,4 \times \frac{100\,000}{10\,000} \right) \quad \checkmark$$

$$= -12\,V \quad \checkmark$$

(3)

NOTE: The following formula can also be used

$$V_o = \frac{R_f}{R_i} (V_1 + V_2 + V_3)$$

3.5.3

$$A_v = \frac{V_{OUT}}{(V_1 + V_2 + V_3)} \quad \checkmark$$

$$= \frac{-12}{(0,4 + 0,4 + 0,4)} \quad \checkmark$$

$$= -10 \quad \checkmark$$

(3)



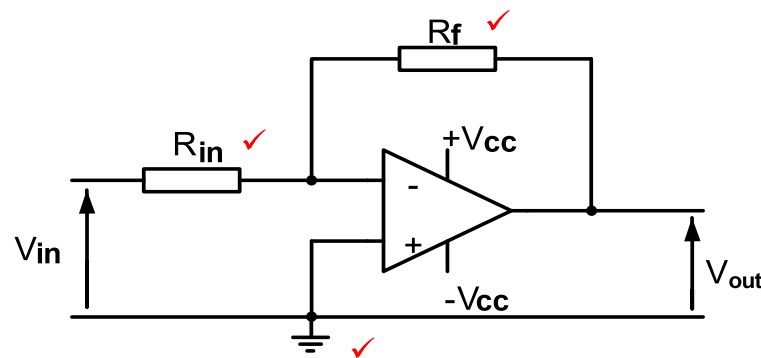
- 3.5.4 (a) The output signal will be distorted ✓ with the top and bottom part of the waveform clipped. ✓ (2)
- (b) It is limited by the supply voltage of 12 V. ✓ (1)
- (c) Reduce the value of R_F . ✓
Change the value of the power supply voltages to ± 15 V so that the op amp does not saturate at ± 14 V.
Increasing the value of R_2 to 15 k Ω or above. (1)
- 3.6 3.6.1 0 V, ✓ because the non-inverting input terminal is connected to ground. ✓ (2)
- 3.6.2 The output voltage is directly proportional ✓ to the inverse of the rate of change ✓ of the input voltage. (2)
- [50]**



QUESTION 4: SEMICONDUCTOR DEVICES

- 4.1 4.1.1 The purpose of the index dot is to indicate the starting sequence of pin numbering on the 741 IC. ✓ (1)
- 4.1.2 The sine wave will appear on the output pin in an inverted direction ✓ to when it entered the op amp and it will be amplified. ✓ (2)
- 4.1.3 To allow its output to rise above 0 V ✓ or fall below 0 V. ✓ (2)
- 4.2 The op amp as a voltage follower/buffer. ✓ (1)
- 4.3 The intermediate stage compares the differential output from the first stage ✓ and amplifies this difference, ✓ resulting in very high overall voltage gain possessed by an op-amp. (2)

4.4



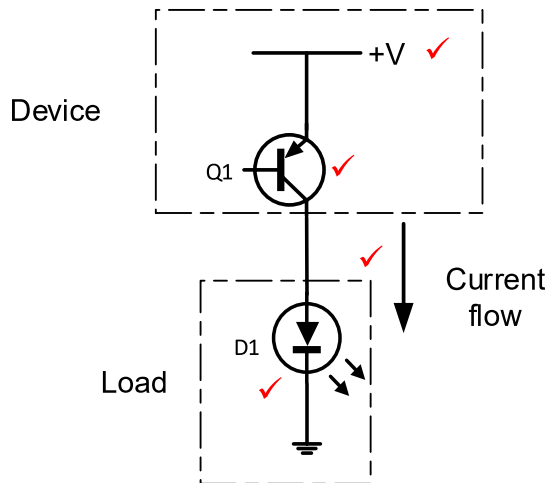
(3)

- 4.5 4.5.1 A- Discharge ✓ pin
B- Threshold ✓ pin (2)
- 4.5.2 The RS flip flop has two stable states ✓ that stores the information it last received ✓ or until new information is received. (2)
- 4.5.3 The reason is to prevent the 555 IC from resetting ✓ because if pin 4 is connected to 0 V ✓ or ground it will reset the 555 IC. (2)
- 4.5.4 Pin 5 must be connected to ground ✓ via a small value capacitor ✓ of 0,01 μF . (2)
- 4.5.5 Astable mode. ✓
Monostable mode
Bistable mode (1)

[20]

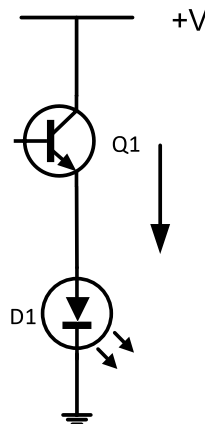
QUESTION 5: DIGITAL AND SEQUENTIAL DEVICES

- 5.1 5.1.1 Common anode ✓ and common cathode. ✓ (2)
- 5.1.2 LED's - a, f, g, c and d. ✓ (1)
- 5.1.3



NOTE: 1 Mark is awarded to current flow direction given its direction is correct and not labelled

(4)



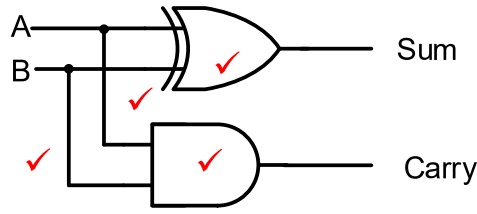
NOTE: The above circuit will be accepted as correct because it is incorrectly provided in the only prescribed textbook.

- 5.2 Encoder ✓ (1)

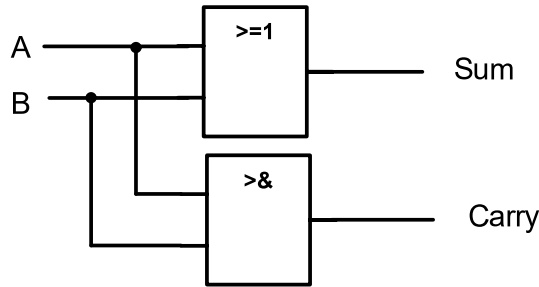


NSC – Marking Guidelines

5.3 5.3.1



OR



(4)

5.3.2 The sum will be equal to zero, ✓ and carry output will be one. ✓

(2)

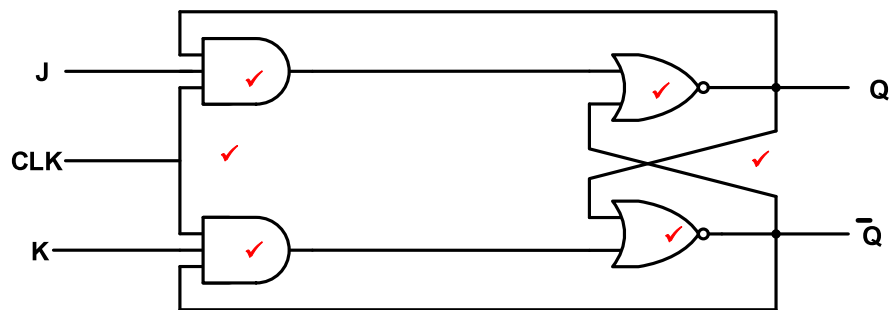
5.3.3 (a) A full adder has a total of three inputs, (the two binary inputs A and B as well as the carry-in C_i) whereas a half adder has a total of two inputs (the two binary inputs A and B). ✓

(1)

- 5.3.3 (b)
- A full adder consists of one OR gate, whereas the half adder does not have an OR gate. ✓
 - A full adder consists of two EX-OR gates whereas the half-adder consists of one EX-OR gate. ✓
 - A full adder consists of two AND gates whereas the half-adder consists of one AND gate. ✓

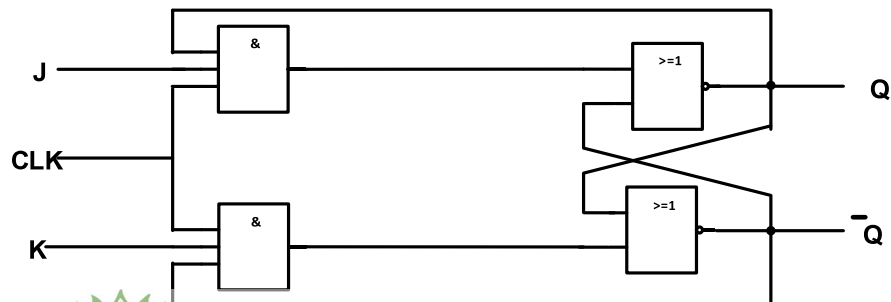
(3)

5.4 5.4.1

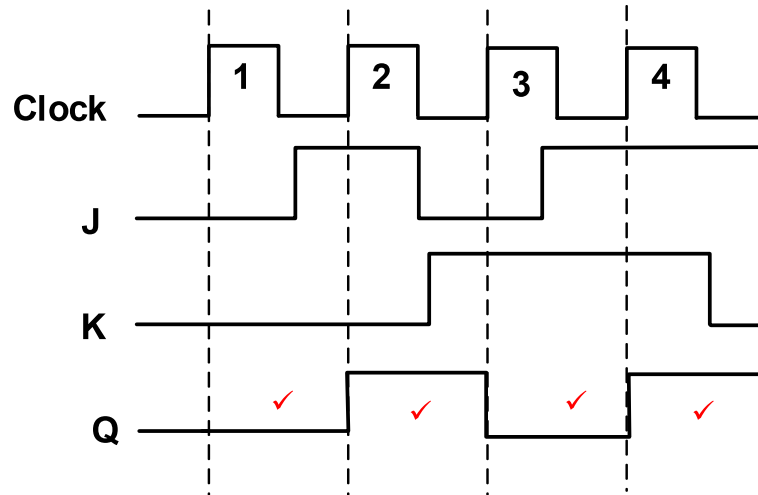


OR

(6)



5.4.2



(4)

5.5 A counter is a circuit which counts through a set sequence of numbers ✓ when activated by a clock pulse, ✓ and once counted it returns to the original state. ✓

(3)

5.6 In asynchronous counters only the first flip-flop is clocked by the external clock pulse ✓ and the rest of the flip-flops are clocked sequentially. ✓ This causes a lag ✓ called propagation delay and can be eliminated by feeding flip-flops with a common clock pulse. ✓

OR

Propagation delay is caused by the clock pulse which is fed into the first flip-flop and rippled through the other flip-flops causing a lag and it can be eliminated by feeding each flip flop with a common clock pulse separately.

(4)

5.7 • Robotics ✓
• Computer Numeric Control (CNC) machines ✓

(2)

5.8 5.8.1 All flip-flops are triggered simultaneously ✓ by the same clock pulse.

(1)

5.8.2 It prevents the third input clock pulse from producing the incorrect binary output of 111_2 (decimal number 7) instead of the correct output 100_2 (decimal number 4) ✓ This incorrect output would cause the circuit to reset to zero on the fourth input clock pulse or cause the third flip-flop to change its state prematurely, ✓ resulting in an incorrect count." ✓

OR

The function of the AND-logic gate in the circuit is to ensure that flip-flop FF2 will only go into toggle mode when there is a logic 1 on both Q outputs of flip-flop FF0 and FF1 so that the flip-flop FF2 will only toggle its output to count correct from 011_2 to 100_2 and not from 111_2 to 000_2 .

(3)



5.8.3

CLOCK PULSES	BINARY COUNT SEQUENCE		
	C	B	A
2	0	1	0
3	0	1	1
5	1	0	1
6	1	1	0
7	1	1	1

✓
✓
✓
✓
✓

(5)

5.9

5.9.1

A register is a circuit that shifts data as binary numbers into the register, ✓ storing the data as a word ✓ and then moving or shifting the bits of the stored word out when required. ✓

(3)

5.9.2

Serial-in parallel-out shift register. ✓

(1)

5.9.3

Clear ✓
Reset

(1)

5.9.4

Data is clocked into the register, one clock pulse at a time, ✓ each bit shifts one place to the right until the complete four-bit data value is stored in the register. ✓ Then, the full value appears on the output lines ✓ and can be read by the following stage, all at the same time. ✓

(4)

[55]

QUESTION 6: MICROCONTROLLERS

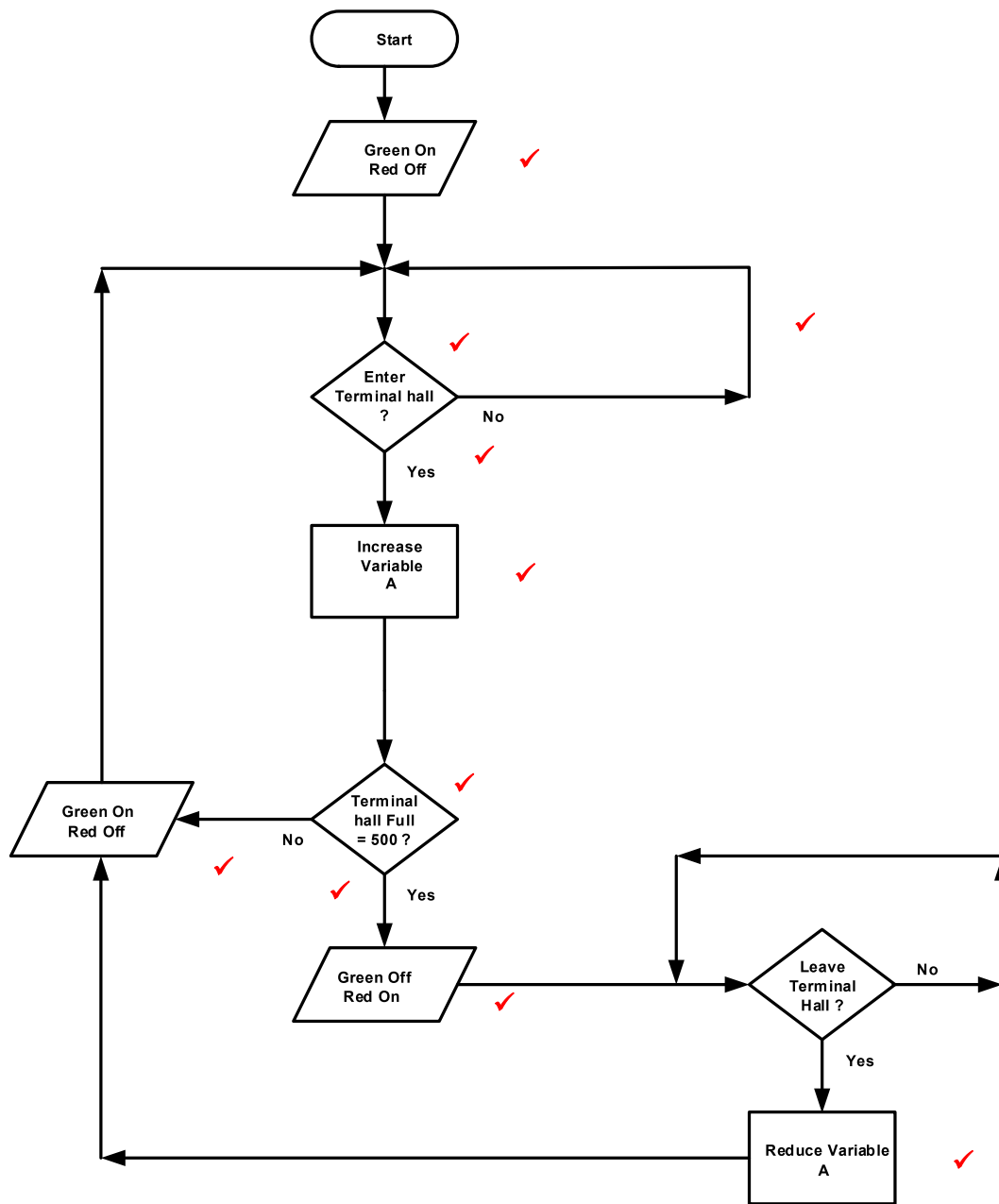
- 6.1 A microcontroller can be defined as a single chip ✓ (integrated circuit) that performs a dedicated task ✓ as an independent device. ✓
- OR**
- A microcontroller is an independent device, a computer on a chip that can perform a limited range of functions without needing to rely on other chips or devices. (3)
- 6.2 6.2.1 Port ✓
Input/Output (1)
- 6.2.2 The TRIS register sets the 'direction' of the input and output pins ✓ by setting some bits of the TRIS register to either '0' or '1'. ✓
A low '0' configures the pins as 'output' pins ✓ and a high '1' configures the same pins as 'input' pins. ✓ (4)
- 6.3 6.3.1 A = Transmitter ✓
B = Receiver ✓ (2)
- 6.3.2 Data is sent as one long line stream of bits or, as a block of data. ✓
There are no gaps in the transmission stream with each bit following the next. ✓ At the receiving end, the bits are counted and reconstructed into bytes. ✓ (3)
- 6.3.3 This method's accuracy depends on the receiver being able to keep an accurate count of the bits as they arrive. ✓ For this to happen both the sender and receiver are synchronized with a common clock pulse ✓ sent to both the sender and receiver, ✓ which keeps them exactly in time with each other and everything in order. ✓ (4)
- 6.3.4 Supports a higher data transfer rate ✓
The sender and the receiver use the same clock pulse ✓ (2)
- 6.4 6.4.1 A UART converts parallel data ✓ from the host processor ✓ into a serial data stream. ✓ (3)
- 6.4.2 Inter-Integrated Bus (I²C) ✓ (1)
- 6.5 Half-duplex communication is when two devices take turns in communicating, one after the other. ✓
Full-duplex communication is when two devices can both transmit and receive at the same time. ✓ (2)
- 6.6 6.6.1 A = SPI Master ✓
B = SPI Slave ✓ (2)
- 6.6.2 Master out – Slave In ✓ (1)
- 6.6.3 SPI supports higher speed full duplex communication ✓
SPI draws little power ✓
SPI can operate at extremely high speeds ✓ (3)



- 6.6.4 The SPI is a synchronous serial communication data link that operates in full duplex ✓ in order for it to send and receive data in both directions simultaneously. ✓ (2)
- 6.7 6.7.1 Looping is when a task is repeated ✓ over and over until the condition is true. ✓ (2)
- 6.7.2 A conditional statement is a mechanism that allows for conditional execution of instructions ✓ based upon the outcome of a conditional statement. ✓ (which can either be true or false) (2)
- 6.7.3 In the cycle, the CPU fetches a program instruction from its memory, ✓ decodes the instruction, considers all inputs ✓ and then executes that instruction. ✓ (3)

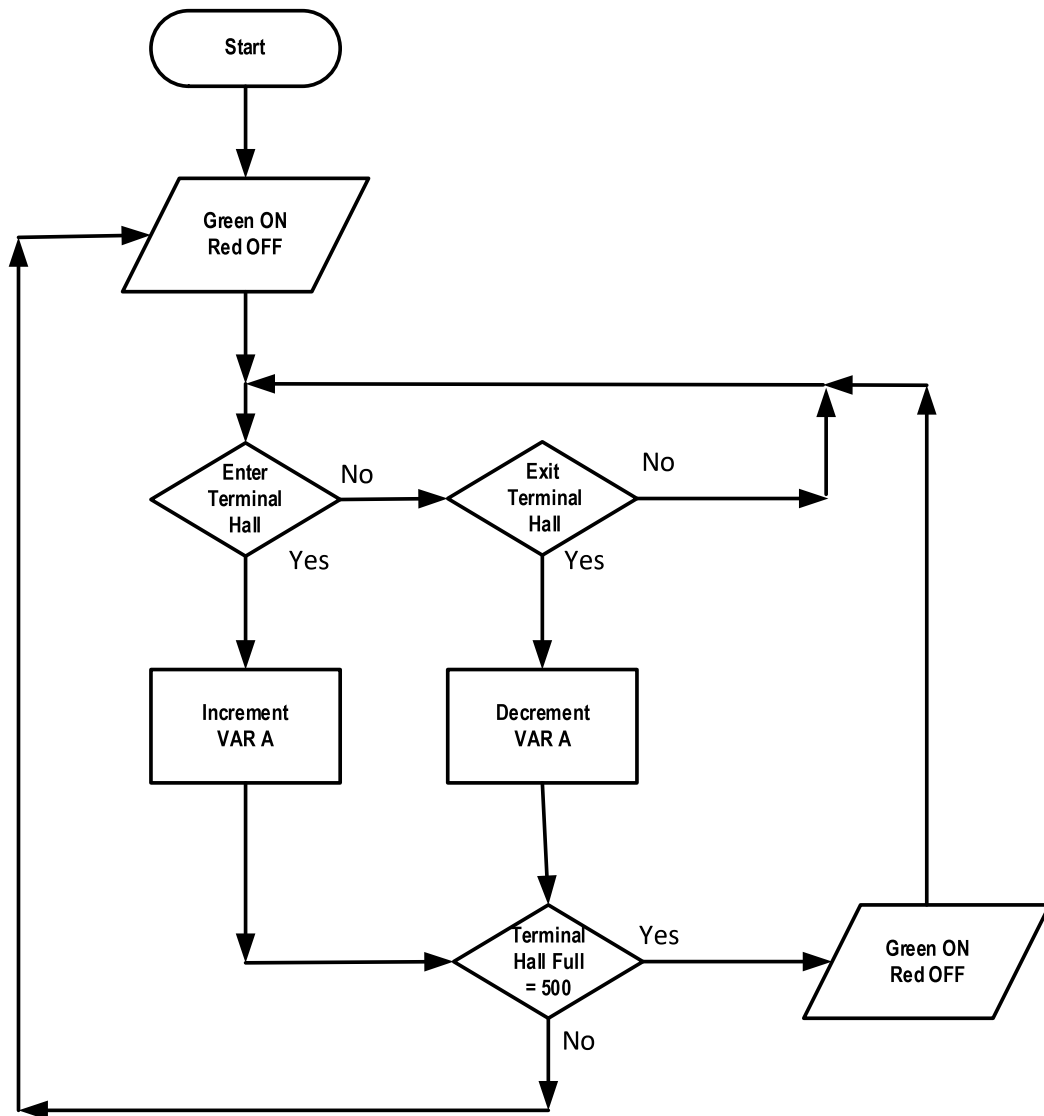


6.8



OR





NOTE: 1 mark for each correct labelled symbol = 7
 1 mark for each correct connection = 1
 1 mark for each correctly placed Yes/No = 2

(10)
 [50]

TOTAL: 200

