

SA EXAM PAPERS This Paper was downloaded from SAEXAMPAPERS
SA's Leading Past Year

Exam Paper Portal



You have Downloaded, yet Another Great Resource to assist you with your Studies 😊

Thank You for Supporting SA Exam Papers

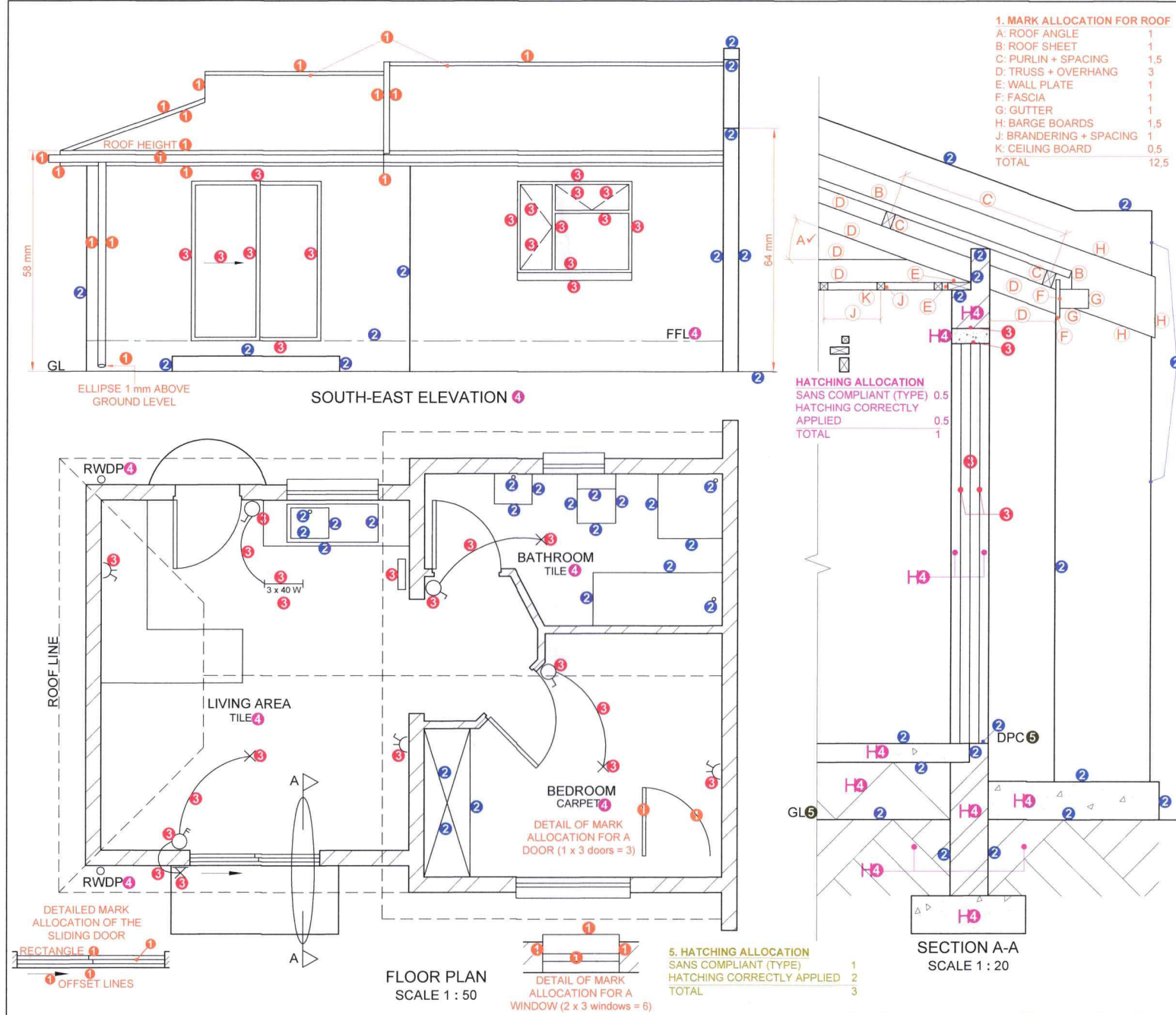
Your Leading Past Year Exam Paper Resource Portal

Visit us @ www.saexampapers.co.za



**SA EXAM
PAPERS**

SA EXAM PAPERS
Proudly South African



MARK ALLOCATION FOR SECTION OF ROOF		FOR OFFICIAL USE ONLY	
A		INCORRECT SCALE(S) USED	
B		NON-ALIGNMENT OF VIEWS	
C		VIEW(S) ROTATED	
D		SECTION VIEWED INCORRECTLY	
E		INCORRECT LETTERING	
F			
G			
H			
J			
K			
TOTAL		TOTAL	

ASSESSMENT CRITERIA				
FLOOR PLAN				
		POSSIBLE	OBTAINED	SIGN MODERATED
1	DOORS + WINDOWS	11		
2	FIXTURES	10 1/2		
3	ELECTRICAL	9 1/2		
4	LABELS	2 1/2		
5	HATCHING	3		
SUBTOTAL		36 1/2		
SOUTH-EAST ELEVATION				
1	ROOF + RWDP	8 1/2		
2	WALLS + STEPS	6		
3	DOOR + WINDOW	8 1/2		
4	LABELS	1		
SUBTOTAL		24		
DETAILED SECTION				
1	ROOF DETAIL	12 1/2		
2	SLAB + WALLS + STEP	8 1/2		
3	DOOR + LINTEL	2		
4	HATCHING	5 1/2		
5	LABELS	1		
SUBTOTAL		29 1/2		
TOTAL		90		
PENALTIES (-)				
GRAND TOTAL				